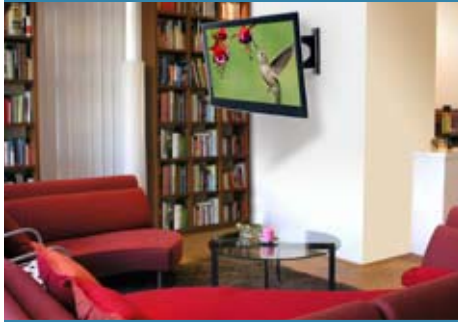


SUA745PU

# Ultra Slim Articulating Wall Arm

For 32" to 46" Ultra-thin Screens\*



The world's slimmest articulating mount transforms the viewing experience from ordinary to extraordinary. Ultra-thin screens give the room a contemporary look, but only when married to an ultra-slim mount that allows the maintenance of the ultra-thin aesthetic and still position the screen at the best viewing angle. Brilliant in its simplicity and ease of installation, the mount's functionality is optimized through its remarkable arm extension and swiveling hinge. Now you can create the perfect viewing angle and truly achieve the ultra-thin experience at the same time.



Screen size: 32"-46"



Max load: 60 lb (27 kg)

## FEATURES

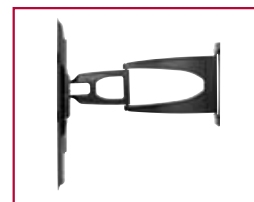
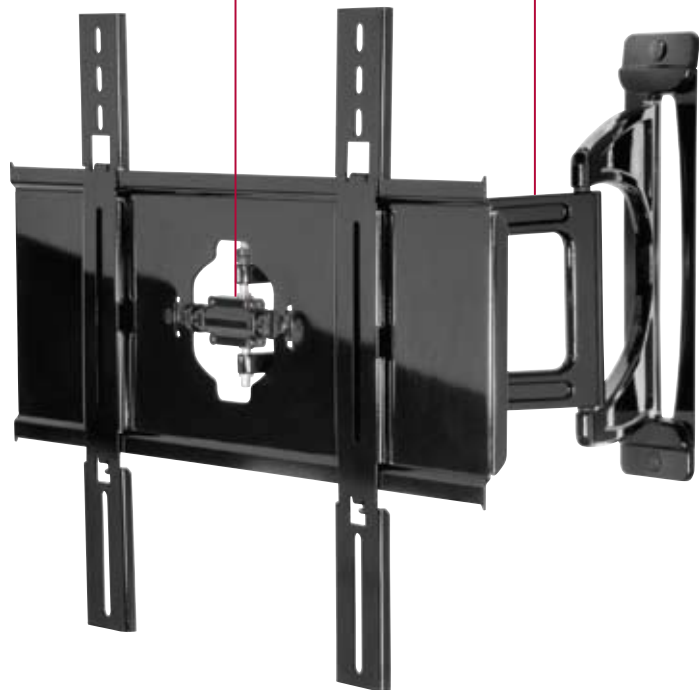
- Arm retracts to 1.1" (29 mm) and extends up to 23.8" (604 mm) from the wall
- One-touch tilt, +15°/-5°, allows for ideal viewing angles without the use of tools
- Up to ±90° of side-to-side swivel
- ±5° of roll offers a simple way to horizontally level the screen
- Two-screw wall attachment allow for a fast installation

### EFFORTLESS MOTION

One-touch tilt allows for ideal viewing angles with ease

### FROM NOTHING TO EVERYTHING

Arm retracts to 1.1" (29 mm) and extends up to 23.8" (604 mm) from the wall



Fully extended



Flat against the wall

\* Designed exclusively for use with ultra-thin screens 2" (51 mm) deep or less



RoHS  
2002/95/EC

CLICK: [www.peerlessmounts.com](http://www.peerlessmounts.com)

CALL: 800.865.2112

FAX: 708.865.2941

peerless®

**SUA745PU:** Ultra Slim Articulating Wall Arm for 32" to 46" Ultra-thin Screens

**Product Specifications**

	<b>DIMENSIONS (W x H x D)</b>	<b>PRODUCT WEIGHT</b>	<b>LOAD CAPACITY</b>	<b>FINISH</b>	<b>AVAILABLE COLORS</b>
<b>SUA745PU</b>	20.15" x 16.06" x 1.1" - 23.86" (511 x 408 x 29 – 606 mm)	11.25 lb (5.1 kg)	60 lb (27 kg)	Scratch resistant fused epoxy	Gloss Black

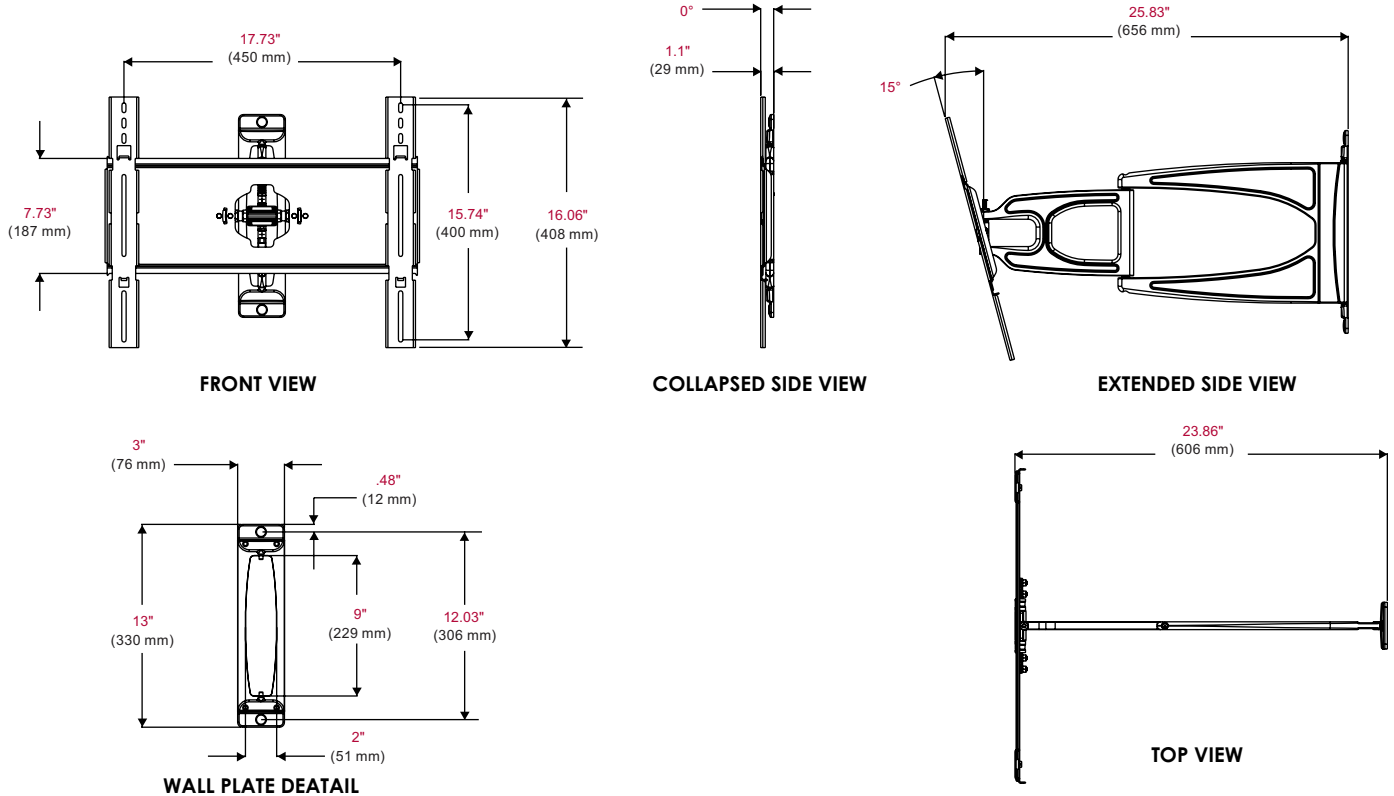
**Package Specifications**

	<b>PACKAGE SIZE (W x H x D)</b>	<b>PACKAGE SHIP WEIGHT</b>	<b>PACKAGE UPC CODE</b>	<b>PACKAGE CONTENTS</b>	<b>UNITS IN PACKAGE</b>
<b>SUA745PU</b>	21" x 2.63" x 14.25" (533 x 66 x 361 mm)	13 lb (5.9 kg)	735029264996	Mount and attachment hardware for screen and wall	1

**Accessories**

**ACC919:** Security Fastener Pack

All dimensions = inch (mm)



**ARCHITECTS SPECIFICATIONS**

The Slimline Articulating Wall Mount shall be a Peerless model SUA745PU and shall be located where indicated on the plans. It shall feature scratch resistant black or silver fused epoxy finish. Assembly and installation shall be done according to instructions provided by the manufacturer.