

TECHNICAL DATA SHEET - **SmartMount[®] Universal Flat** Wall Mount for 42" to 71" Flat Panel Screens

peerless[®]

MODELS: SF670, SF670-S, SF670P, SF670P-S



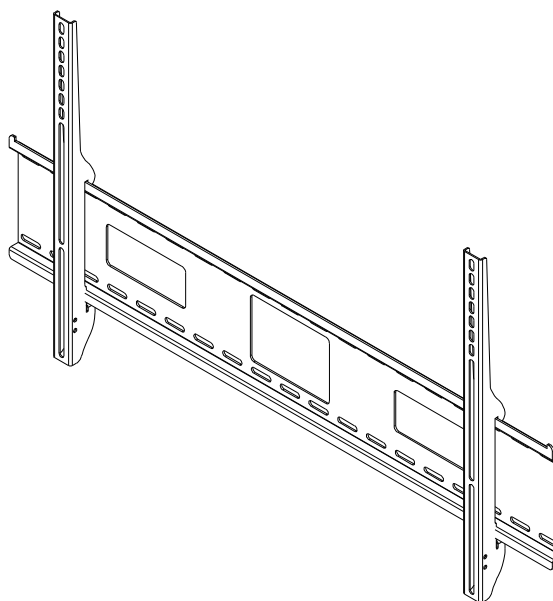
The sturdy SF670 wall plate holds screens weighing up to 250 lb while featuring junction box access ports and horizontal screen adjustment up to 8" for ideal screen positioning. Its easy-glide brackets enable quick screen-to-mount attachment with a simple hook-on design. Delivering an ultra-slim profile, this mount is the essential element for low-profile installations of extra-large screens.

Features:

- Fits screens with mounting hole patterns up to 35.75" W and 19.8" H
- Ultra-slim design holds screen only 1.73" from the wall for a clean application
- Easy-glide bracket design ensures screen is securely attached to wall plate
- Horizontal screen adjustment up to 8"
- Mounts to wood studs, concrete, cinder block or metal studs (metal stud accessory required)
- Includes Peerless' Sorted-For-You™ fastener pack with all necessary mounting and screen attachment hardware

Accessories:

- Metal Stud Fastener Kit (ACC415 & ACC215)
- Video Conferencing Shelf (ACC309)
- Accessory Shelves (DS600)
- Middle Rail Accessory (ACC670F)



Dimensions:

Weight:

10.7 lb (4.9 kg)

Shipping weight:

13.1 lb (5.9 kg)

Maximum Load Capacity:

250 lb (113.4 kg)

Shipping Carton dimensions:

L= 46.75 in (1187 mm)

W= 8.63 in (219 mm)

H= 3.88 in (99 mm)

ARCHITECTS SPECIFICATIONS

The Smartmount Universal[®] Flat Wall Mount shall be a Peerless model _____ and shall be located where indicated on the plans. It shall be constructed of heavy gauge cold rolled steel and finished with scratch resistant Black or Silver Fused Epoxy. Assembly and installation shall be done according to instructions provided by the manufacturer.

Peerless Industries, Inc.

3215 W. North Ave. Melrose Park, IL 60160
708-865-8870 800-865-2112 Fax 708-865-2941

www.peerlessmounts.com

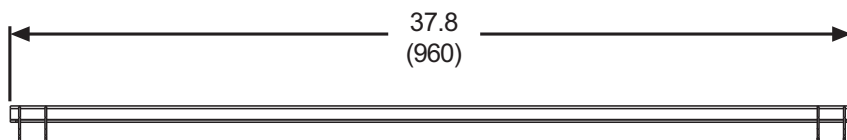
ISSUED: 01-16-06 SHEET NO: 201-9768-5 04-23-08

© 2008, Peerless Industries, Inc. All rights reserved.
All other brand and product names are trademarks or registered trademarks of their respective owners.

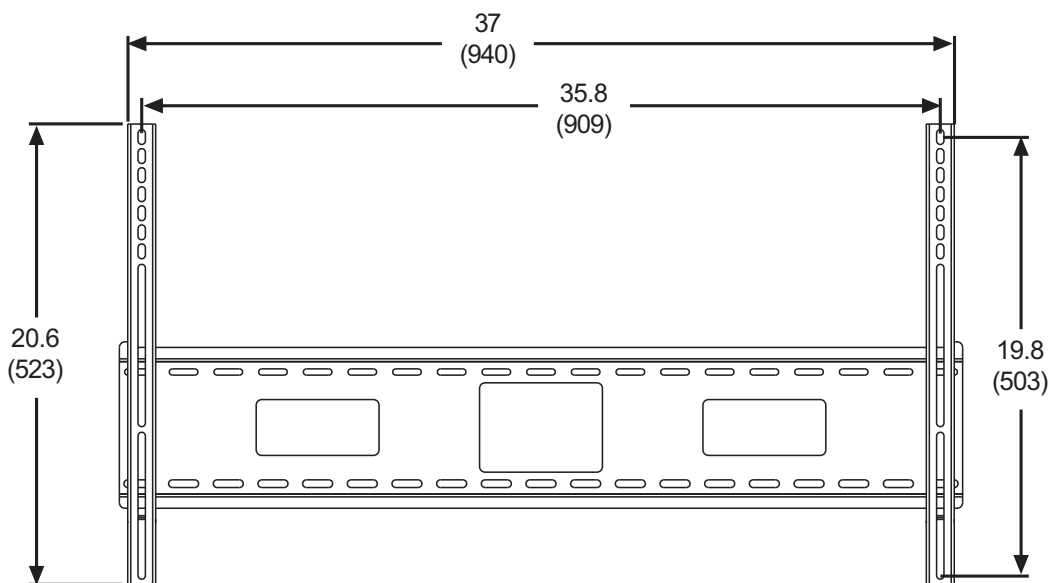
TECHNICAL DATA SHEET

MODELS: SF670, SF670-S, SF670P, SF670P-S

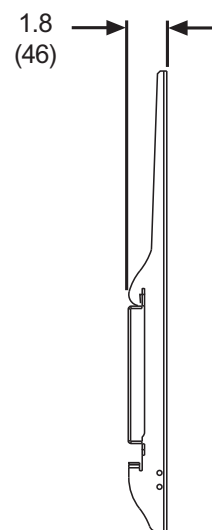
ALL DIMENSION = INCH
(MM)



TOP VIEW



FRONT VIEW

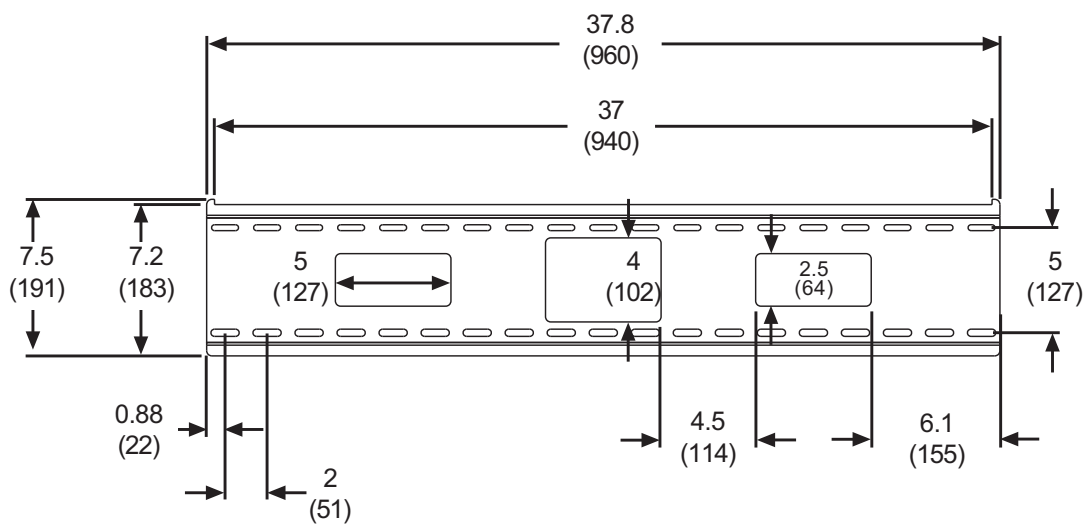


SIDE VIEW

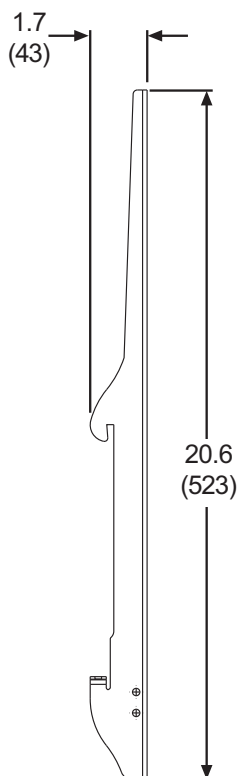
TECHNICAL DATA SHEET

MODELS: SF670, SF670-S, SF670P, SF670P-S

ALL DIMENSION = INCH
(MM)



WALL PLATE DETAIL



ADAPTER BRACKET DETAIL