

TECHNICAL DATA SHEET - LCD Ceiling Mount

peerless[®]
MOUNTS

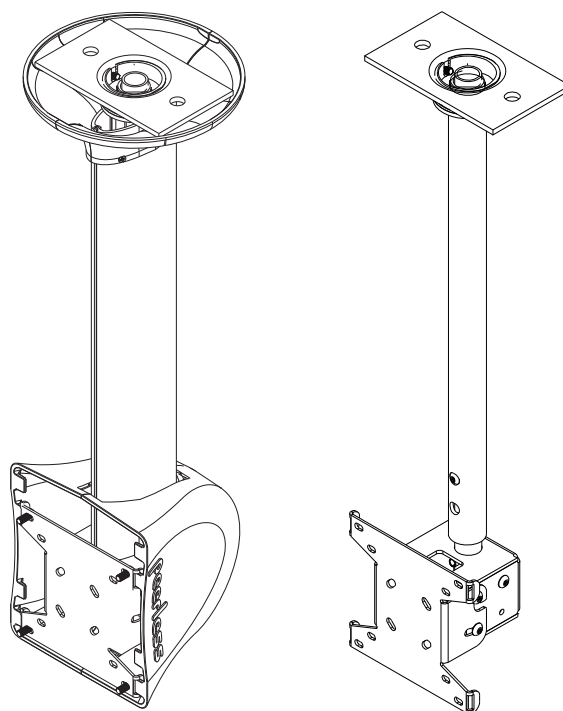
MODELS: LCC 18, LCC 18-C, LCC 18S, LCC 18-CS, LCC 36,
LCC 36-C, LCC 36S, LCC36W, LCC 36-CS



The slim design of the LCD Ceiling Mount offers the ideal low profile mounting solution and enhances the professional look of any 13" to 29" LCD screen. The slender adjustable extension column minimizes the mount's appearance while maximizing the screen's presence in any room. Models with the optional cable management covers offer a sleek, stylized veneer that conceals cords and augments the mount's overall aesthetic. Its versatile design allows the screen to be mounted in standard position or facing the floor with the option of portrait or landscape orientation, making it ideal for dental offices, medical facilities, and digital signage.

Features:

- Comes in two adjustable height ranges (in 1" increments): 18"-30" and 36"-48"
- -5° to +20° adjustable tilt
- Screen can be mounted in standard position or face-down
- Portrait or landscape orientation
- Ceiling plate included
- Hardware included for wood or concrete installations
- Theft resistant security fasteners included
- VESA[®] 75/100 mm compliant (Non-VESA adapter offered separately)
- Comes in black and silver. LCC 36-W offered in white.
- 360° swivel action (at time of installation)



ARCHITECTS SPECIFICATIONS

The Ceiling Mount shall be a Peerless model _____ and shall be located where indicated on the plans. It shall be constructed of heavy gauge steel. The finish shall be scratch resistant black, white or silver fused epoxy. It shall feature 20° forward and 5° backward tilt. Assembly and installation shall be done according to instructions provided by the manufacturer.

Peerless Industries, Inc.

3215 W. North Ave. Melrose Park, IL 60160
708-865-8870 800-865-2112 Fax 708-865-2941

www.peerlessmounts.com

ISSUED: 10-22-04 SHEET NO: 100-9504-6 04-13-09

© 2009, Peerless Industries, Inc. All rights reserved.
All other brand and product names are trademarks or registered trademarks of their respective owners.

Accessories:

- Lightweight Adjustable Suspended Ceiling Kit (CMJ 500)
- Lightweight Suspended Ceiling Kit (CMJ 455)
- Accessory Pack for CMJ 455 (ACC 455)*
- Lightweight Cathedral Ceiling Plate (ACC 912)*
- Unistrut or Structural Ceiling Plates (CMJ 300, CMJ 310)*
- Anti-Vibration Ceiling Plates (ACC 845)*
- I-Beam Clamps (ACC 558, ACC 559)
- Truss Ceiling Adapter (ACC 557)*
- Unistrut Adapter (ACC 550)
- Escutcheon Ring (ACC 640)*
- Round Ceiling Plate (ACC 570)
- Cord Wrap (ACC 852(W)(S))*
- 3/4" Pipe Reducer (ACC 913)*
- Fixed Length 1 1/2" Extension Columns (EXT models)
- Adjustable Length 1 1/2" Extension Columns (ADJ models)
- Extension Column Stabilizer Kit (ACC 050)*
- Extension Column Connector (ACC 109)
- 1/2" Threaded Rod (ACC 820)*
- Threaded Rod Adapter (ACC 810)*
- Non-VESA Adapter Plates (LC models)*

*** not evaluated by UL****LCC 18, LCC 18S****Dimensions:****Weight:**

3.9 lb (1.8 kg)

Shipping weight:

4.6 lb (2.1 kg)

Maximum Load Capacity:

40 lb (18.1 kg)

Shipping Carton dimensions:**L** = 26.25 in (667 mm)**W** = 7.5 in (191 mm)**H** = 3.25 in (83 mm)**LCC 18-C, LCC 18-CS****Dimensions:****Weight:**

5.4 lb (2.4 kg)

Shipping weight:

7.3 lb (3.3 kg)

Maximum Load Capacity:

40 lb (18.1 kg)

Shipping Carton dimensions:**L** = 31.75 in (806 mm)**W** = 12 in (305 mm)**H** = 4 in (102 mm)**LCC 36, LCC 36S, LCC36W****Dimensions:****Weight:**

5.4 lb (2.4 kg)

Shipping weight:

6.2 lb (2.8 kg)

Maximum Load Capacity:

40 lb (18.1 kg)

Shipping Carton dimensions:**L** = 39 in (991 mm)**W** = 4 in (102 mm)**H** = 4.5 in (114 mm)**LCC 36-C, LCC 36-CS****Dimensions:****Weight:**

7.4 lb (3.4 kg)

Shipping weight:

10.6 lb (4.8 kg)

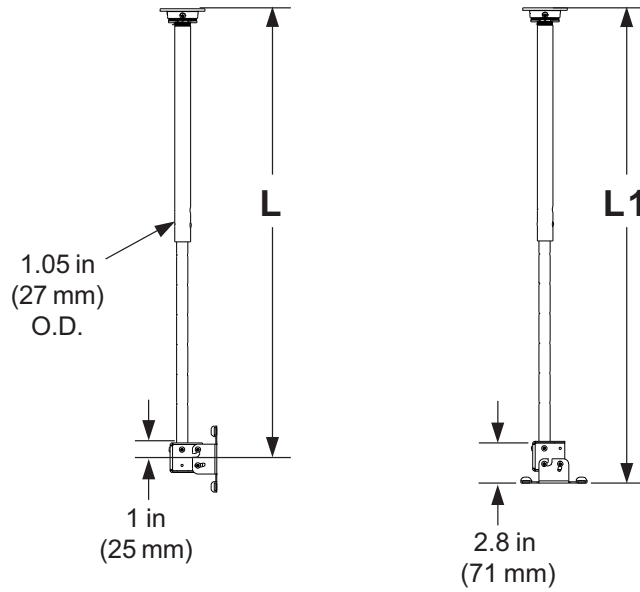
Maximum Load Capacity:

40 lb (18.1 kg)

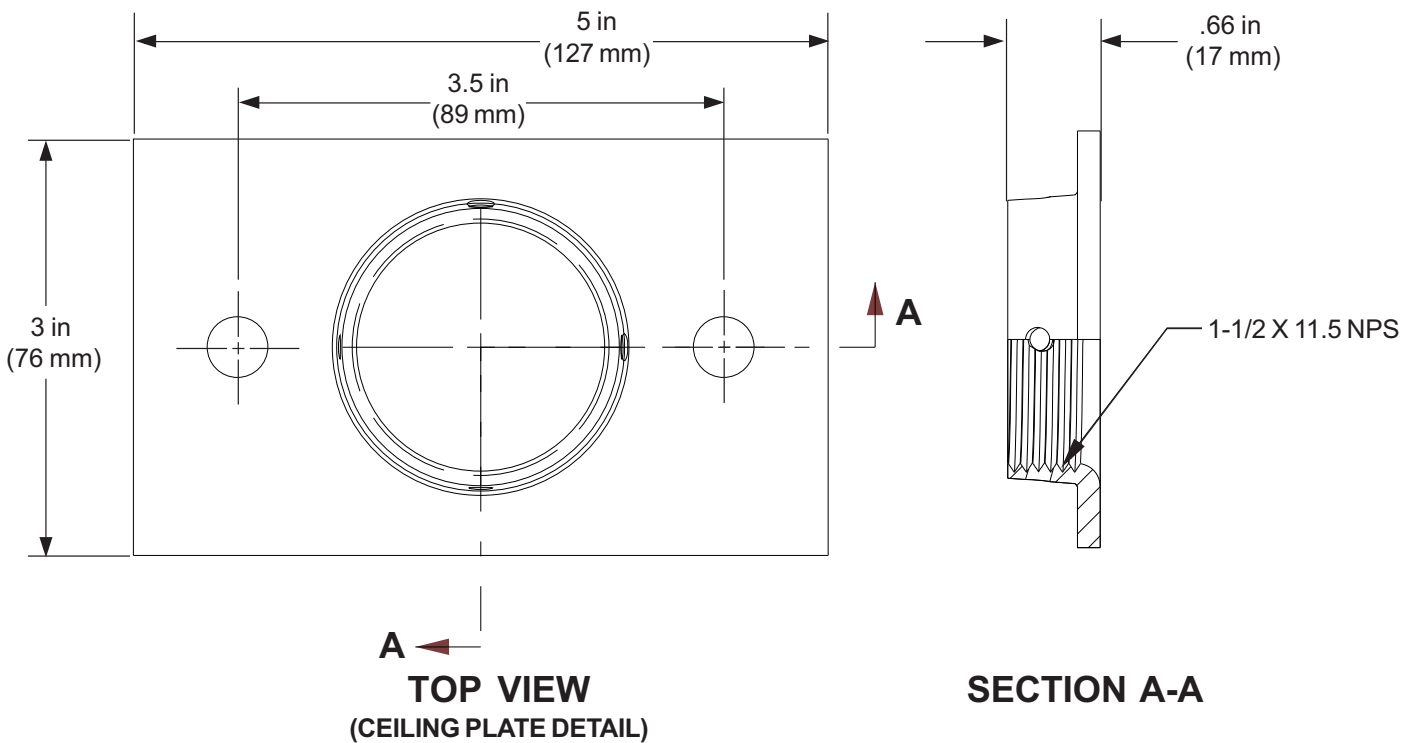
Shipping Carton dimensions:**L** = 46 in (1168 mm)**W** = 12 in (305 mm)**H** = 4 in (102 mm)

TECHNICAL DATA SHEET

MODELS: LCC 18, LCC 18-C, LCC 18S, LCC 18-CS, LCC 36, LCC 36-C, LCC 36S, LCC 36W, LCC 36-CS

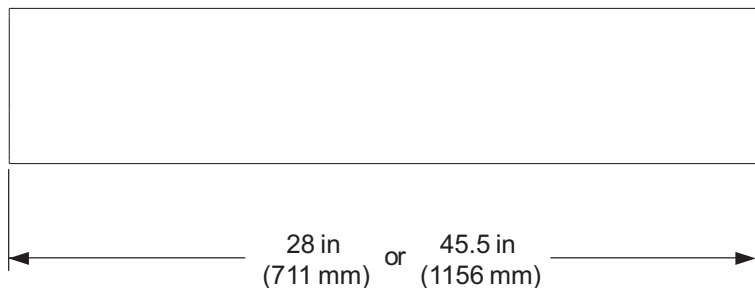


Model#	Length (L) - adjustable at 1" increments <i>in. (mm)</i>	Length (L1) - adjustable at 1" increments <i>in. (mm)</i>
LCC 18, LCC 18-C LCC 18S, LCC 18-CS	17.125 (435) min. 30.125 (765) max.	18.92 (481) min. 31.92 (811) max.
LCC 36, LCC 36-C, LCC 36S, LCC 36W, LCC 36-CS	34.625 (879) min. 47.625 (1210) max.	36.42 (925) min. 49.42 (1255) max.

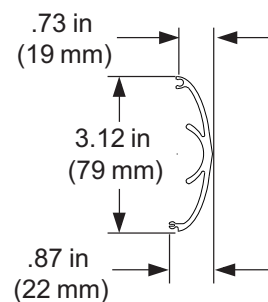


TECHNICAL DATA SHEET

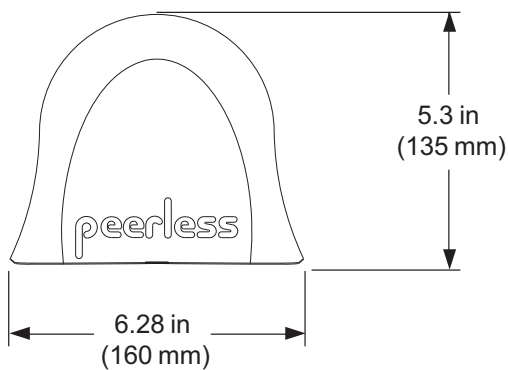
MODELS: LCC 18, LCC 18-C, LCC 18S, LCC 18-CS, LCC 36, LCC 36-C, LCC 36S, LCC 36W, LCC 36-CS



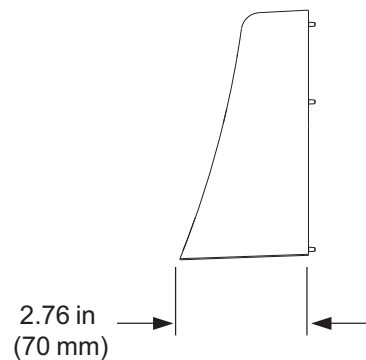
SIDE VIEW
(VERTICAL COVER DETAIL)



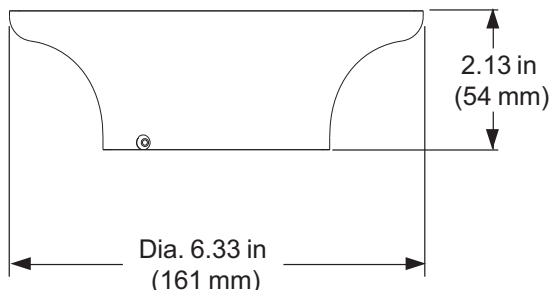
TOP VIEW



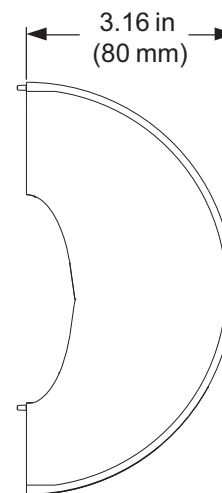
SIDE VIEW
(TILTING COVER DETAIL)



TOP VIEW



SIDE VIEW
(TOP COVER DETAIL)



TOP VIEW