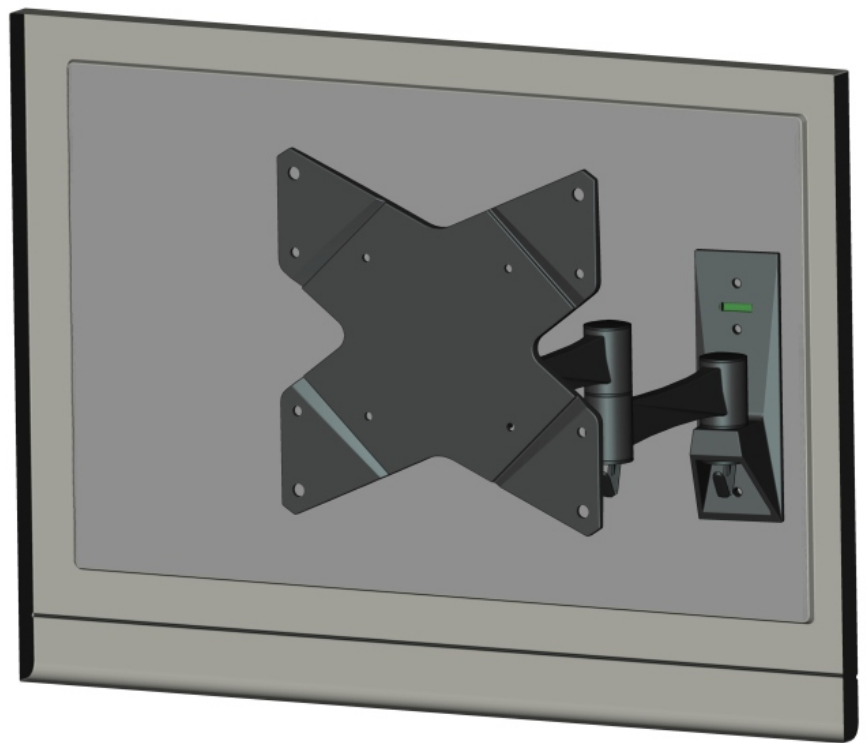


Installation Guide

NEWSTAR
computerproducts

www.newstar.eu

LCD/LED TV WALL MOUNT



Model:
FPMA-W835

Assembly Guide

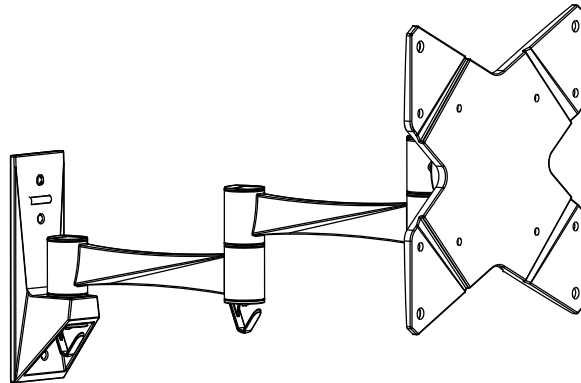


VESA 200x200mm

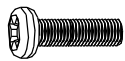


20kg/44lbs

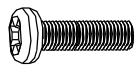
IMPORTANT: Ensure you have received all parts against the component checklist prior to installing. If any parts are missing or faulty, telephone the special franchiser for a placement.



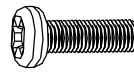
Package M



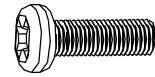
M4x14 (x4)
M-A



M5x14 (x4)
M-B



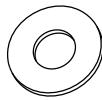
M6x14 (x4)
M-C



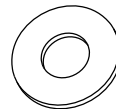
M8x15 (x4)
M-D



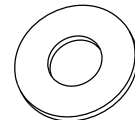
D4 (ø4.5x ø10)
washer (x4)
M-E



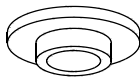
D5 (ø5.5xø 12)
washer (x4)
M-F



D6 (ø6.3xø 16)
washer (x4)
M-G



D8 (ø8.3xø 16)
washer (x4)
M-H



ø13.5xø5.5x3.2 (x4)
M-I



3mm allen key (x1)
M-J

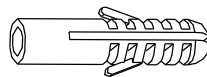


5mm allen key(x1)
M-K

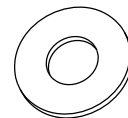
Package W



ST5.5x50 lag bolt (x3)
W-A

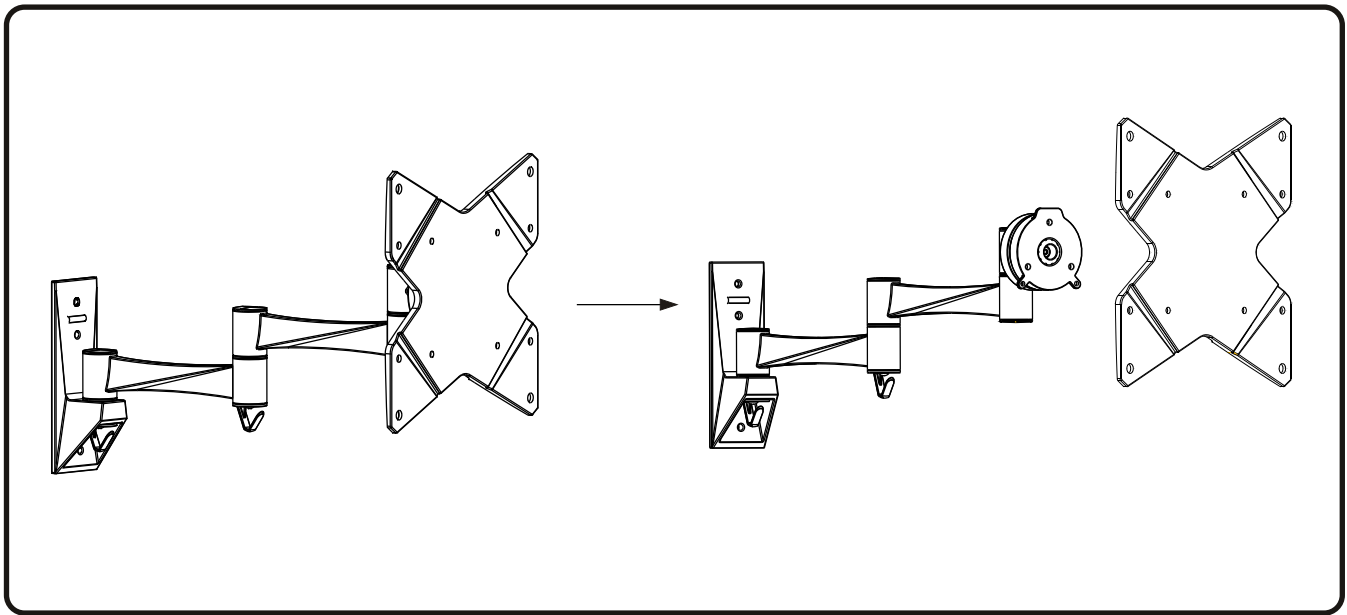


concrete anchor (x3)
W-B



D6 (ø6.3xø16)
washer (x3)
W-C

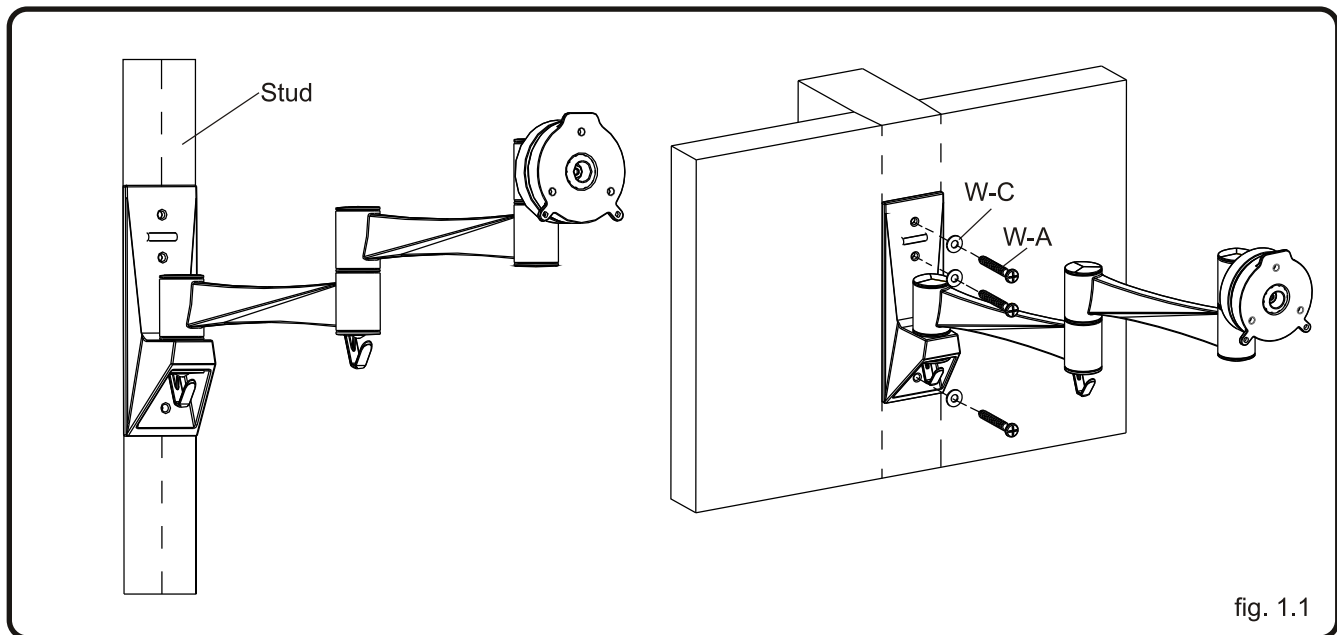
Disassemble the adapter bracket from the assemble product to easy for installation as shown below.



1a WOOD STUD WALL MOUNTING:

WARNING

- Make sure that the supporting surface will safely support the combined load of the equipment and all attached hardware and components.
 - Tighten wood screws firmly, but do not over tighten. Over tightening can damage the screws, greatly reducing their holding power.
 - Make sure that mounting screws are anchored into the center of the studs. Use of an “edge to edge” stud finder is highly recommended.
 - Hardware provided is for attachment of mount through standard thickness drywall or plaster into studs. Installers are responsible to provide hardware for other types of mounting situations.
-
- Use a stud finder to locate the edges of the studs. Use of an edge-to-edge stud finder is highly recommended. Based on their edges, draw a vertical line down each stud's center.
 - Place wall plate on wall as a template. And mark the center of the three mounting holes. Make sure that the mounting holes are on the stud centerline.
 - Drill three 1/8" (3mm) dia. Holes 1.2" (30mm) deep. Make sure that the wall plate is level, secure it using three wood screws (W-A) and three washers(W-C) as shown in fig. 1.1.

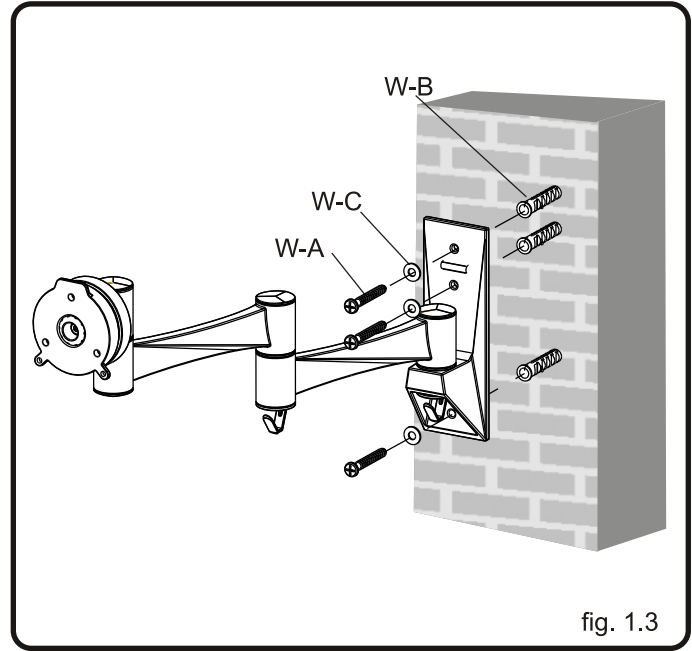
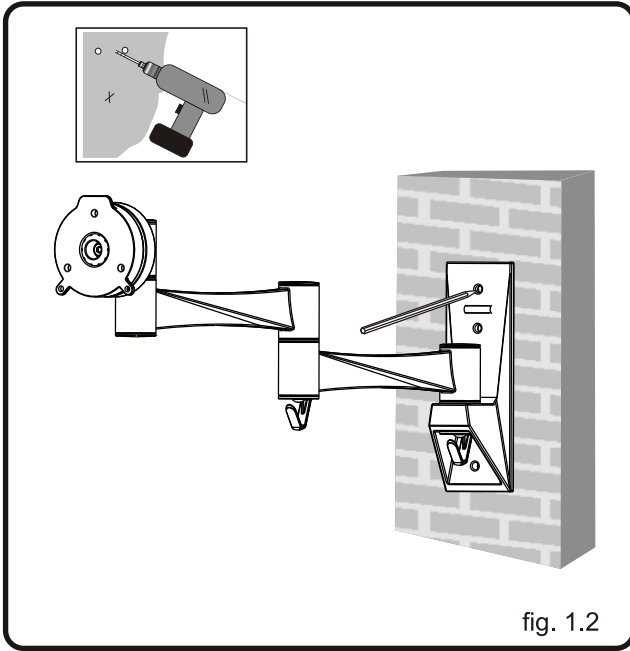


1b SOLID BRICK AND CONCRETE BLOCK MOUNTING:

WARNING

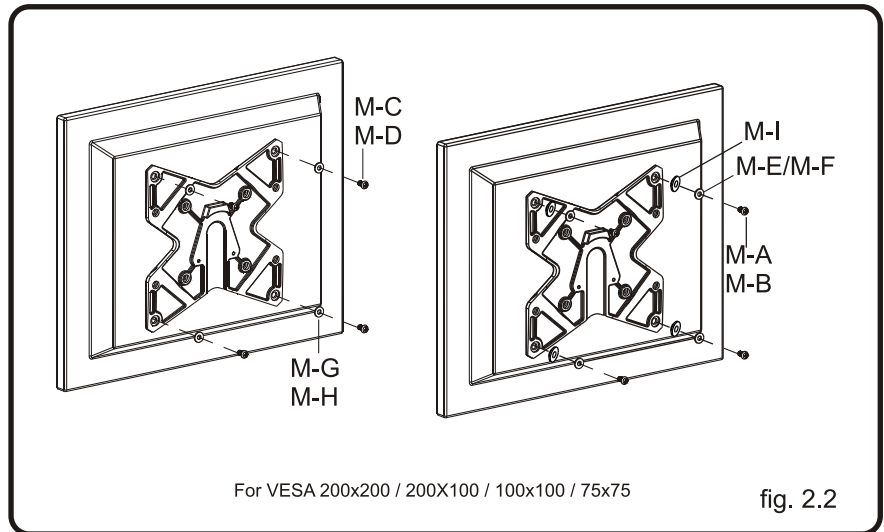
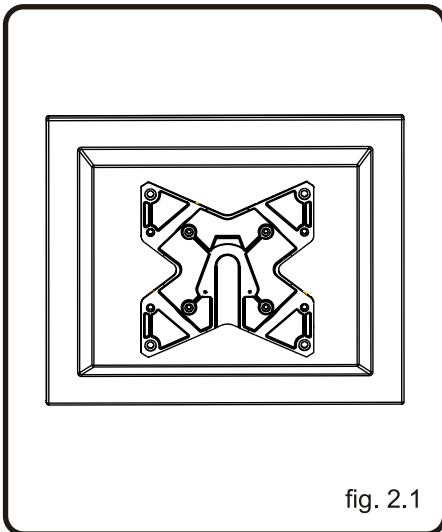
- When installing wall mounts on cinder block, verify that you have a minimum of 1-3/8" of actual concrete thickness in the hole to be used for the concrete anchors. Do not drill into mortar joints! Be sure to mount in a solid part of the block, generally 1" minimum from the side of the block. It is suggested electric drill on slow setting is used to drill the hole instead of a hammer drill to avoid breaking out the back of the hole when entering a void or cavity.
- Installer must verify that the supporting surface will safely support the combined load of the equipment and all attached hardware and components.

- Use the Wall Plate as a template to mark 3 holes locations on the wall, as shown in fig.1.2.
- Pre-drill these holes with a 8mm masonry bit to at least 50mm in depth. Insert a Concrete Anchor (W-B) into each of these holes. Attach the Wall Plate to the wall using 3 wood screws (W-A) and 3 Washers (W-C), as shown in fig.1.3.



2 Installing Adapter Bracket

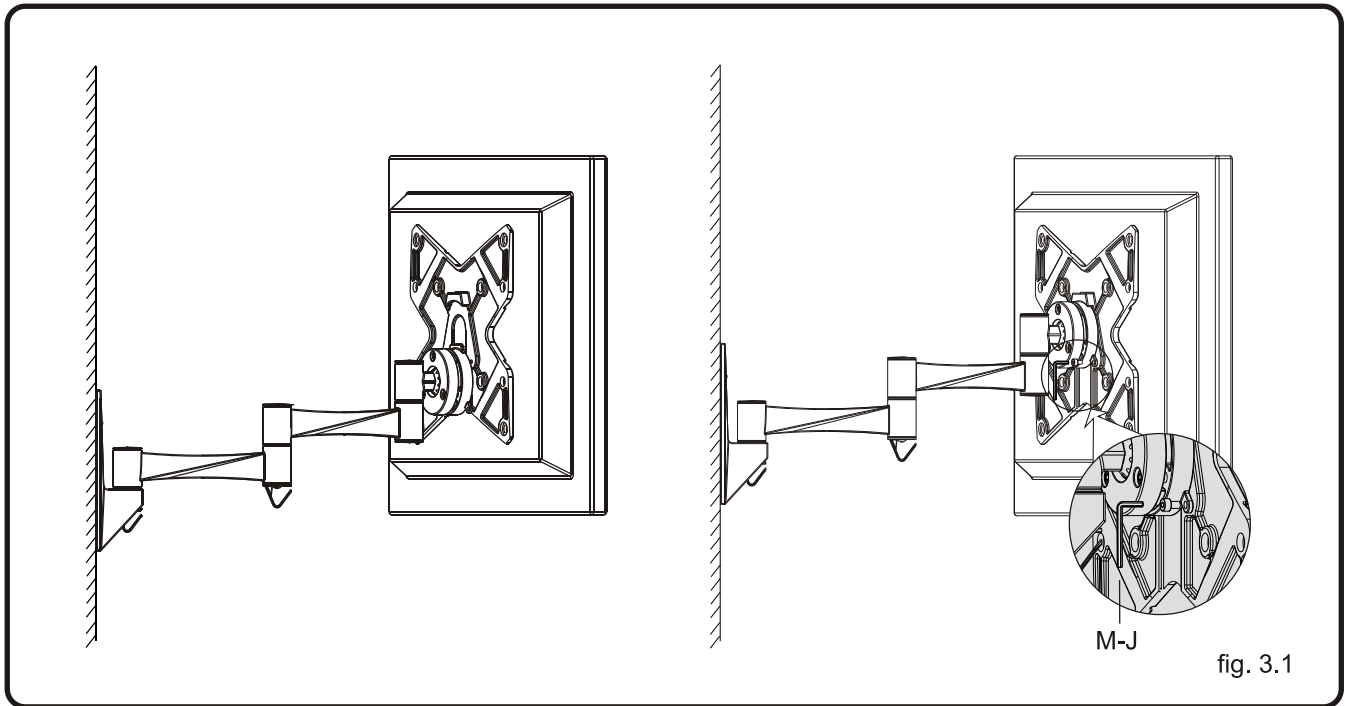
- To prevent scratching the screen, set a cloth on a flat, level surface that will support the weight of the screen.
- Place screen face side down. Place the adapter bracket on the back of screen, align to holes, as shown in fig.2.1
- Attach the adapter bracket to the back of the screen using appropriate combination of washers and screws. as shown in fig.2.2



3 Installing the Display

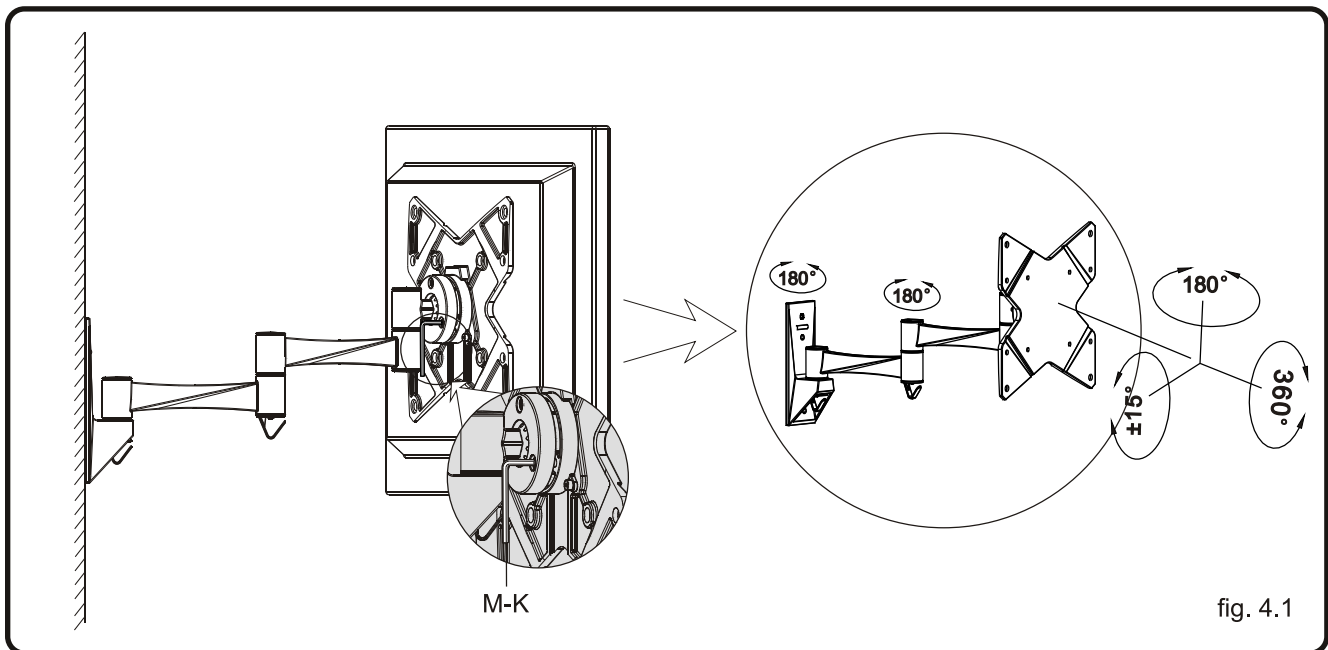
- Place the adapter bracket mounted display onto the plate of Articulated Arm Assembly, as shown in fig 3.1.
- Aligning the mounting holes on the plate of Articulated Arm Assembly with the mounting holes on the adapter bracket, tighten the safety screws by using 3mm allen key(M-J). Do not over tighten! As shown in fig 3.1.

Important: Make sure the brackets mounted display is correctly mounted and the safety locking screws are locked safely before loosening the display.



4 Pitching angle adjustment

- Tighten the screws till the display angle can be fixed, then push or pull from top or bottom of screen to adjust the display to the desired angle.
- The pitching angle can be adjusted between $-15^{\circ} \sim +15^{\circ}$, swivel: 180° , pivot: 360° , as shown in fig.4.1.



Maintenance

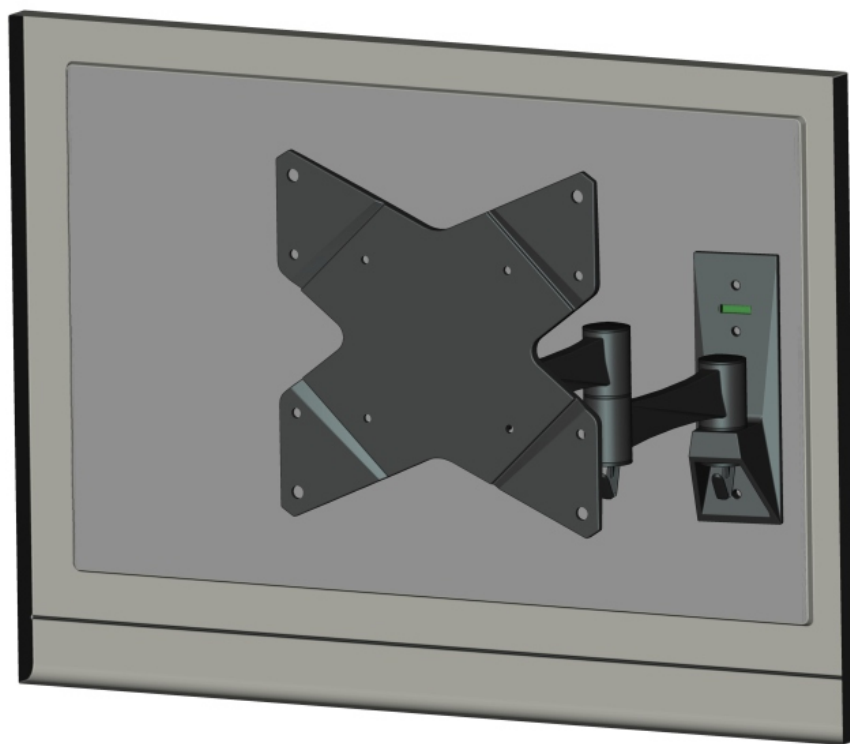
Once you have mounted the bracket and the flat screen, check that they are sufficiently secure and safe to use. You should check whether screws are fixed well each two months. If you have any doubts regarding the installation, please consult our retailer or service department for detail.

Installation Guide



www.newstar.eu

LCD/LED TV WALL MOUNT



All Rights Reserved
Unauthorized Copying and Reproduction are prohibited