

Home Installation

AUDIO/VISUAL MOUNTING SOLUTIONS FOR RESIDENTIAL APPLICATIONS

peerless®



AESTHETICS

Peerless mounts provide the look and functionality that today's homeowners are asking for—sleek finishes, compact design and cable management features. The mount plays an important supporting role. Peerless mounts do it with style and grace.

SAFETY

Mounted audio/visual equipment in the home is in close proximity to adults and children. So, every mount is tested to four times its maximum load capacity to withstand significant jolts and bumps. Which means, once a Peerless mount is installed, it's installed!

EASE OF INSTALLATION

It is our privilege to make your installation quick and simple. To that end, virtually all Peerless mounts come pre-assembled out of the box. Our universal mounts include the exclusive Sorted-For-You™ fastener pack with all necessary mounting hardware included. The result is less time at the job, higher margins for you.

VERSATILITY AND FUNCTIONALITY

If you need a mount that swivels, tilts, pivots, articulates or is flat to the wall, Peerless has it. Our mounts accommodate flat panels from 10" to 102", as well as projectors, CRT TVs and audio equipment. As we like to say, "Yep. We've got a mount for that."

UNIVERSAL ULTRA-THIN FLAT WALL MOUNTS



- 1. ULTRA-THIN DESIGN**
The mount virtually disappears behind the screen
- 2. EASY INSTALLATION**
With Slimline mounts' all steel universal screen adapters and industrial-strength Velcro® latching system, installation is as easy as 1-2-3
- 3. SECURE SUPPORT**
The industrial-strength Velcro® latching system secures the screen tight against the wall plate preventing accidental dislodging
- 4. VIEWING FLEXIBILITY**
Up to 8" (203 mm) horizontal TV positioning adjustability for perfect screen placement

TABLE OF CONTENTS

Universal ultra-thin flat wall mounts page 3

Universal flat wall mounts pages 4-5

Universal tilt wall mounts pages 6-7

Universal modular tilt wall mount page 8

Universal pivot wall mounts page 9

Universal articulating wall mounts page 10-11

In-wall mounts page 12

Corner mounts page 13

Universal ceiling mounts pages 14-15

Desktop mounts and stands page 16

Wall furniture and speaker mounts page 17

Universal projector mounts pages 18-19

Accessories page 20

Slimline®
WORLD'S THINNEST UNIVERSAL FLAT PANEL MOUNTING SOLUTIONS

Accessories page 20

SUF640P



COLOR: Gloss black

- Universal screen adapters easily hook onto wall plate for an easy installation
- Industrial-strength Velcro® latching system secures screen adapters to wall plate in a single step, making installation fast and secure
- Mounts to wood studs, concrete, cinder block or metal studs (metal stud accessory required)*
- Use with accessory In-wall Box (IBA1) to keep cords and cables completely hidden

*ACC215

SUF650P



COLOR: Gloss black

- Universal screen adapters easily hook onto wall plate for an easy installation
- Industrial-strength Velcro® latching system secures screen adapters to wall plate in a single step, making installation fast and secure
- Mounts to wood studs, concrete, cinder block or metal studs (metal stud accessory required)*
- Use with accessory In-wall Box (IBA1) to keep cords and cables completely hidden

*ACC415

SUF660P

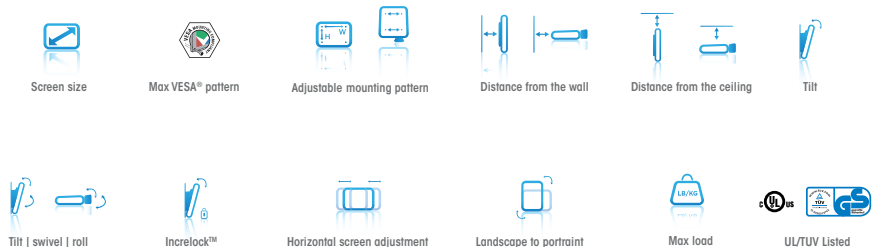


COLOR: Gloss black

- Universal screen adapters easily hook onto wall plate for an easy installation
- Industrial-strength Velcro® latching system secures screen adapters to wall plate in a single step, making installation fast and secure
- Mounts to wood studs, concrete, cinder block or metal studs (metal stud accessory required)*
- Use with accessory In-wall Box (IBA1) to keep cords and cables completely hidden

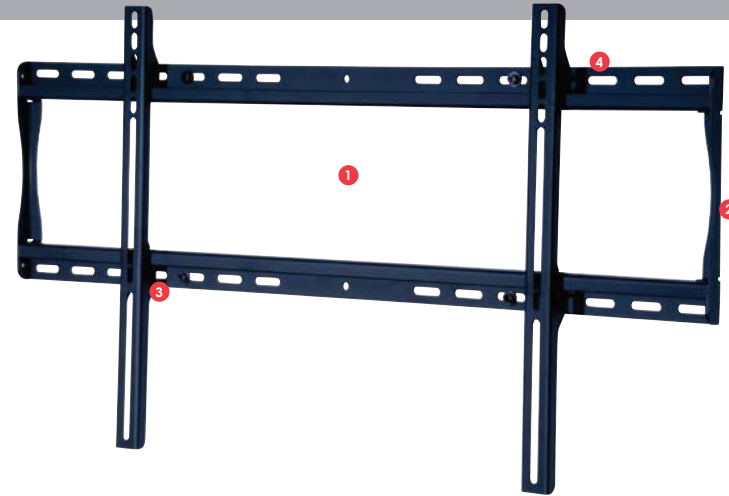
*ACC415

ICONS USED



Screen size	23"-46" (58-117 cm)	32"-50" (81-127 cm)	37"-65" (94-165 cm)
Max VESA® pattern	400 x 300	700 x 400	800 x 400
Adjustable mounting pattern (W x H)	17.73" x 12.94" (450 x 329 mm)	29.23" x 17.67" (784 x 449 mm)	32.48" x 17.67" (825 x 449 mm)
Distance from the wall	0.4" (10 mm)	0.4" (10 mm)	0.4" (10 mm)
Horizontal screen adjustment	up to 6" (152 mm)	up to 8" (203 mm)	up to 8" (203 mm)
Max load	150 lb (68 kg)	150 lb (68 kg)	150 lb (68 kg)
UL/TUV Listed	Yes	Yes	Yes

UNIVERSAL FLAT WALL MOUNTS



1. OPEN ARCHITECTURE

Offers outstanding flexibility in mount placement by easily accommodating cables, cords, and electrical gang boxes

2. FINISHED END PANEL

Unique end panel design creates a clean appearance by hiding screws from view

3. SECUREMENT SCREWS

Assures the screen is secured to the wall plate preventing the screen from accidentally being dislodged

4. LOW-PROFILE DESIGN

Keeps screen close to the wall for a discreet installation

SmartMount®

SF630P[S]



COLOR: Black or silver

- Screen adapter plate simply hooks onto the wall plate for quick and easy installation
- Includes hardware for installation to wood stud, concrete, cinder block and metal stud (metal stud accessory required)*

*ACC215

SF632P[S]



COLOR: Black or silver

- Screen adapter plate simply hooks onto the wall plate for quick and easy installation
- Includes hardware for installation to wood stud, concrete, cinder block and metal stud (metal stud accessory required)*

*ACC215

SF640P[S]



COLOR: Black or silver

- Open wall plate design allows for total wall access, increasing electrical access and cable management options
- Universal adapters easily hook onto wall plate for fast installation
- Includes hardware for installation to wood stud, concrete, cinder block and metal stud (metal stud accessory required)*
- Comes with Peerless' Sorted-For-You™ fastener pack with all necessary screen attachment hardware

*ACC415

SF650P[S]



COLOR: Black or silver

- Open wall plate design allows for total wall access, increasing electrical access and cable management options
- Universal adapters easily hook onto wall plate for fast installation
- Includes hardware for installation to wood stud, concrete, cinder block and metal stud (metal stud accessory required)*
- Comes with Peerless' Sorted-For-You™ fastener pack with all necessary screen attachment hardware

*ACC415

SF660P[S]



COLOR: Black or silver

- Open wall plate design allows for total wall access, increasing electrical access and cable management options
- Universal adapters easily hook onto wall plate for fast installation
- Includes hardware for installation to wood stud, concrete, cinder block and metal stud (metal stud accessory required)*
- Comes with Peerless' Sorted-For-You™ fastener pack with all necessary screen attachment hardware

*ACC415

SF670P[S]



COLOR: Black or silver

- Universal adapters easily hook onto wall plate for fast installation
- Easy-glide design ensures screen is securely attached to wall plate
- Mounts to wood studs, concrete, cinder block or metal studs (metal stud accessory required)*
- Includes Peerless' Sorted-For-You™ fastener pack with all necessary mounting and screen attachment hardware

*ACC615

SF680P[S]



COLOR: Black or silver

- Universal adapters easily hook onto wall plate for fast installation
- Easy-glide design ensures screen is securely attached to wall plate
- Mounts to wood studs, concrete, cinder block or metal studs (metal stud accessory required)*
- Includes Peerless' Sorted-For-You™ fastener pack with all necessary mounting and screen attachment hardware

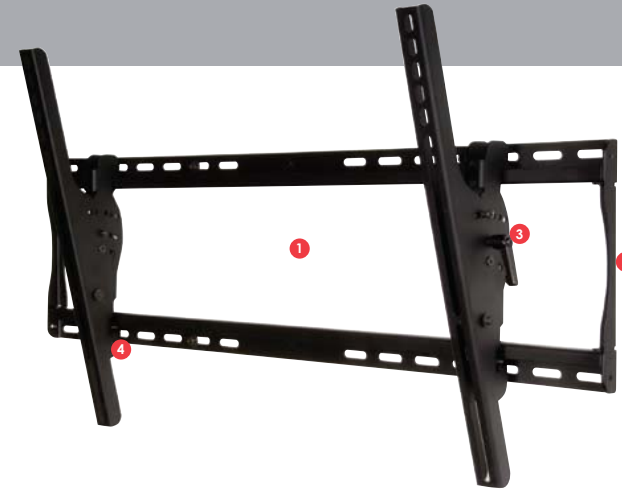
*ACC615

Accessories page 20

	SF630P[S]	SF632P[S]	SF640P[S]	SF650P[S]	SF660P[S]	SF670P[S]	SF680P[S]
Screen size	10"-24" (25-61 cm)	22"-40" (56-102 cm)	23"-46" (58-112 cm)	32"-56" (81-142 cm)	37"-63" (94-160 cm)	42"-71" (107-180 cm)	61"-102" (155-259 cm)
VESA® pattern	75/100 mm <i>Additional screen adapter plates also available</i>	75,100,200 x 100 and 200 x 200 mm <i>Additional screen adapter plates also available</i>	—	—	up to 800 x 400 mm	—	—
Adjustable mounting pattern (W x H)	—	—	17.73" x 12.94" (450 x 329 mm)	29.23" x 17.05" (784 x 433 mm)	32.48" x 17.05" (825 x 433 mm)	35.75" x 19.8" (909 x 504 mm)	43.75" x 29.31" (1111 x 744 mm)
Distance from the wall	1" (25 mm)	1.1" (28 mm)	1.2" (30 mm)	1.7" (43 mm)	1.2" (30 mm)	1.73" (44 mm)	1.83" (46 mm)
Horizontal screen adjustment	—	—	up to 6" (152 mm)	up to 8" (203 mm)	up to 8" (203 mm)	up to 8" (203 mm)	up to 8" (203 mm)
Max load	80 lb (36 kg)	115 lb (52 kg)	150 lb (68 kg)	175 lb (79 kg)	200 lb (90 kg)	250 lb (113 kg)	350 lb (158 kg)
UL/TUV Listed	Yes	Yes	Yes	Yes	Yes	Yes	Yes



UNIVERSAL TILT WALL MOUNTS



1. OPEN ARCHITECTURE
Offers outstanding flexibility in mount placement by easily accommodating cables, cords, and electrical gang boxes

2. FINISHED END PANEL
Unique end panel design creates a clean appearance by hiding screws from view

3. EASY TILT ADJUSTMENT
The TV is supported by pre-tensioned tilt adapters that allow for +15°/-5° tilt adjustment in one easy motion

4. SECUREMENT SCREWS
Assures the TV is secured to the wall plate preventing the screen from accidentally being dislodged

SmartMount®

ST630P(S)



COLOR: Black or silver

- Screen adapter plate simply hooks onto the wall plate for quick and easy installation
- Includes hardware for installation to wood stud, concrete, cinder block and metal stud (metal stud accessory required)*

*ACC215

ST632P(S)



COLOR: Black or silver

- Screen adapter plate simply hooks onto the wall plate for quick and easy installation
- Includes hardware for installation to wood stud, concrete, cinder block and metal stud (metal stud accessory required)*

*ACC215

ST635P(S)



COLOR: Black or silver

- Open wall plate design allows for total wall access, increasing electrical access and cable management options
- Universal adapters easily hook onto wall plate for fast installation
- Includes hardware for installation to wood stud, concrete, cinder block and metal stud (metal stud accessory required)*
- Comes with Peerless® Sorted-For-You™ fastener pack with all necessary screen attachment hardware

*ACC215

ST640P(S)



COLOR: Black or silver

- Open wall plate design allows for total wall access, increasing electrical access and cable management options
- Universal adapters easily hook onto wall plate for fast installation
- Includes hardware for installation to wood stud, concrete, cinder block and metal stud (metal stud accessory required)*
- Comes with Peerless® Sorted-For-You™ fastener pack with all necessary screen attachment hardware

*ACC415

ST650P(S)



COLOR: Black or silver

- Open wall plate design allows for total wall access, increasing electrical access and cable management options
- Universal adapters easily hook onto wall plate for fast installation
- Includes hardware for installation to wood stud, concrete, cinder block and metal stud (metal stud accessory required)*
- Comes with Peerless® Sorted-For-You™ fastener pack with all necessary screen attachment hardware

*ACC415

ST660P(S)



COLOR: Black or silver

- Open wall plate design allows for total wall access, increasing electrical access and cable management options
- Universal adapters easily hook onto wall plate for fast installation
- Includes hardware for installation to wood stud, concrete, cinder block and metal stud (metal stud accessory required)*
- Comes with Peerless® Sorted-For-You™ fastener pack with all necessary screen attachment hardware

*ACC415

ST670P(S)



COLOR: Black or silver

- Universal adapters easily hook onto wall plate for fast installation
- Easy-glide design ensures screen is securely attached to wall plate
- Mounts to wood studs, concrete, cinder block or metal studs (metal stud accessory required)*
- Includes Peerless® Sorted-For-You™ fastener pack with all necessary mounting and screen attachment hardware

*ACC815

ST680P(S)



COLOR: Black or silver

- Universal adapters easily hook onto wall plate for fast installation
- Easy-glide design ensures screen is securely attached to wall plate
- Mounts to wood studs, concrete, cinder block or metal studs (metal stud accessory required)*
- Includes Peerless® Sorted-For-You™ fastener pack with all necessary mounting and screen attachment hardware

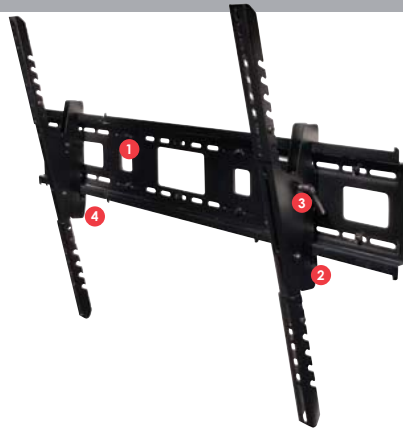
*ACC815

Accessories page 20

Screen size	10"-24" (25-61 cm)	22"-40" (56-102 cm)	13"-37" (33-94 cm)	23"-46" (58-117 cm)	32"-56" (81-142 cm)	37"-63" (94-160 cm)	42"-71" (107-180 cm)	61"-102" (455-259 cm)
VESA® pattern	75/100 mm	75, 100, 200 x 100 and 200 x 200 mm	75, 100, 200 x 100 and 200 x 200 mm	—	—	up to 800 x 400 mm	—	—
Adjustable mounting pattern (W x H)	—	—	9.63" x 9.45" (244 x 240 mm)	18" x 12.94" (457 x 328 mm)	29.5" x 17.67" (749 x 449 mm)	32.75" x 17.67" (832 x 449 mm)	36.03" x 19.8" (915 x 503 mm)	44.04" x 29.31" (1119 x 744 mm)
Distance from the wall	1.58" (40 mm)	1.66" (42 mm)	2.6" (66 mm)	2.6" (66 mm)	2.6" (66 mm)	2.6" (66 mm)	3" (77 mm)	3" (77 mm)
Tilt	+15°/-5°	+15°/-5°	+15°/-5°	+15°/-5°	+15°/-5°	+15°/-5°	+15°/-5°	+15°/-5°
Increlock™	—	—	-5°, 0°, 5°, 10°, 15°	-5°, 0°, 5°, 10°, 15°	-5°, 0°, 5°, 10°, 15°	-5°, 0°, 5°, 10°, 15°	-5°, 0°, 5°, 10°, 15°	-5°, 0°, 5°, 10°, 15°
Horizontal screen adjustment	—	—	—	up to 6" (152 mm)	up to 8" (203 mm)	up to 8" (203 mm)	up to 8" (203 mm)	up to 8" (203 mm)
Max load	80 lb (36 kg)	115 lb (52 kg)	125 lb (56 kg)	150 lb (68 kg)	175 lb (79 kg)	200 lb (90 kg)	250 lb (113 kg)	350 lb (158 kg)
UL/TUV Listed	Yes	Yes	Yes	Yes	Yes	Yes	Yes	Yes



UNIVERSAL MODULAR TILT WALL MOUNT



1. MODULAR DESIGN

Expands to accommodate 23" to 84" (58-213 cm) LCD or plasma flat panel TVs

2. SECUREMENT SCREWS

Assures the TV is secured to the wall plate preventing the screen from accidentally being dislodged

3. ONE-TOUCH TILT

Allows the TV to be adjusted 15 degrees forward and 5 degrees back to find the optimal viewing angle

4. EASY-GLIDE DESIGN

Ensures the TV is securely attached to the wall plate for easy installation and safety

UNIVERSAL PIVOT WALL MOUNTS



1. OPTIMAL VIEWING ANGLE

Extends out 12" (304 mm) and swivels up to $\pm 45^\circ$ for optimal TV position

2. FINISHED APPEARANCE

Enclosed wall plate design conceals the pull-out swivel arms in the closed position, providing a clean, finished look



ONE-TP(S)

1-PLATE CONFIGURATION



*ADD415

2-PLATE CONFIGURATION



*ADD415

3-PLATE CONFIGURATION



*ACCB15

COLOR: Black or silver

- Modular design expands to accommodate 23" to 84" (58-213 cm) LCD or plasma flat panel TVs
- Hook-on design for easy installation
- Pre-assembled adapters and built-in center plate screws make installation quick and simple
- Includes hardware for installation to wood stud, concrete, cinder block and metal stud (metal stud accessory required)*

Accessories page 20



SP730P(S)



COLOR: Black or silver

- Two tensionable pivot points for virtually limitless adjustment
- Includes hardware for installation to wood stud, concrete, cinder block and metal stud (metal stud accessory required)*

SP740P(S)



COLOR: Black or silver

- Two tensionable pivot points for virtually limitless adjustment
- Includes hardware for installation to wood stud, concrete, cinder block and metal stud (metal stud accessory required)*

SP850-UNLP(S)(GB)(GS)



COLOR: Black, silver, high gloss black, or high gloss silver

- Integrated cable management for a clean look
- Locking tab provides optional swivel restriction to one side
- Lock Key™ installation tool secures arms for easy screen installation
- Lock-out feature prevents unwanted extension
- Includes hardware for installation to wood stud, concrete or cinder block

*ACCB08

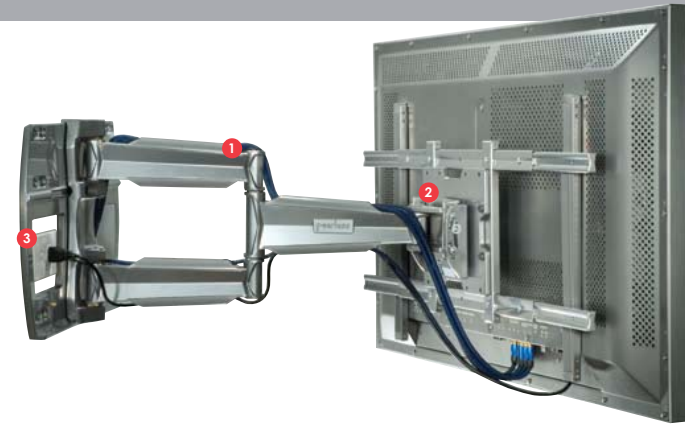
*WSP48Q(S)

Accessories page 20

Screen size	23"-46" (58-117 cm)	32"-60" (81-152 cm)	42"-84" (106-213 cm)
VESA® pattern	—	—	—
Adjustable mounting pattern (W x H)	17" x 26.5" (432 x 673 mm)	29" x 26.5" (737 x 673 mm)	40.8" x 26.5" (1087 x 673 mm)
Distance from the wall	3.3" (84 mm)	3.3" (84 mm)	3.3" (84 mm)
Tilt	+15°/-5°	+15°/-5°	+15°/-5°
Increlock™	-5°, 0°, 5°, 10°, 15°	-5°, 0°, 5°, 10°, 15°	-5°, 0°, 5°, 10°, 15°
Horizontal screen adjustment	Up to 6" (152 mm)	Up to 8" (203 mm)	Up to 8" (203 mm)
Max load	250 lb (113 kg)	250 lb (113 kg)	250 lb (113 kg)
UL/TUV Listed	Yes	Yes	Yes

Screen size	10"-22" (25-56 cm)	22"-40" (56-102 cm)	32"-58" (81-149 cm)
VESA® pattern	75/100 mm <i>Additional screen adapter plates also available</i>	75, 100, 200 x 100 and 200 x 200 mm <i>Additional screen adapter plates also available</i>	100, 200 x 100 mm
Adjustable mounting pattern (W x H)	—	—	28.7" x 17" (729 x 432 mm)
Distance from the wall	1.9"-6.86" (48-174 mm)	2.97"-10.05" (75-255 mm)	3.4"-11.9" (86-302 mm)
Tilt swivel roll	$\pm 35^\circ$ $\pm 90^\circ$ $\pm 5^\circ$	+15°/-5° $\pm 90^\circ$ $\pm 5^\circ$	+10° $\pm 45^\circ$ $\pm 1^\circ$
Increlock™	—	—	10°, 5°, 0°
Horizontal screen adjustment	—	—	3.5" (89 mm)
Max load	25 lb (11 kg)	80 lb (36 kg)	150 lb (68 kg)
UL/TUV Listed	Yes	Yes	Yes

UNIVERSAL ARTICULATING WALL MOUNTS



1. CLEAN APPLICATION
With 1" (25 mm) of clearance per cable management channel this solution delivers clean, clutter-free aesthetics

2. EXTENSIVE REACH
Extends all the way out to 30" (762 mm) from the wall and swivels ±90° to easily achieve the perfect viewing position from anywhere in the room

3. INSTALLATION CONVENIENCE IN THE WALL PLATE
Wall plate provides up to 10.75" (273 mm) of horizontal TV adjustment and optimal space for placement of gang boxes with up to four outlets

SmartMount®

SA730P(S)

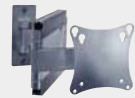


COLOR: Black or silver

- Three tensionable pivot points for virtually limitless adjustment
- Internal cable management conceals cables and cords for a clean look
- Includes hardware for installation to wood stud, concrete, cinder block and metal stud (metal stud accessory required)*

*ACC908

SAL730P(S)



COLOR: Black or silver

- Four tensionable pivot points for virtually limitless adjustment
- Internal cable management conceals cables and cords for a clean look
- Includes hardware for installation to wood stud, concrete, cinder block and metal stud (metal stud accessory required)*

*ACC908

SA740P(S)



COLOR: Black or silver

- Three pivot points for virtually limitless adjustment that can be lightened to restrict movement
- Internal cable management conceals wires for a clean look
- Includes hardware for installation to wood stud, concrete, cinder block and metal stud (metal stud accessory required)*

*WSP-models

SA745P(U)(S)



COLOR: High gloss black or high gloss silver

- 1" (25 mm) clearance per channel for clean cable management
- Built-in cable ties control cables and cords with movement of arm
- Includes hardware for installation to wood stud, concrete, cinder block and metal stud (metal stud accessory required)*

*WSP745(S)

SA750P(U)(S)



COLOR: High gloss black or high gloss silver

- 1" (25 mm) clearance per channel for clean cable management
- Built-in cable ties control cables and cords with movement of arm
- Two knockouts in wall plate for optimal electrical access
- Includes hardware for installation to wood stud, concrete, cinder block and metal stud (metal stud accessory required)*

*ACC615

SA760P(U)(S)



COLOR: High gloss black or high gloss silver

- 1" (25 mm) clearance per channel for clean cable management
- Dual-arm construction for strength and enhanced ease of motion
- Built-in cable ties control cables and cords with movement of arm
- Two knockouts in wall plate for optimal electrical access
- Includes hardware for installation to wood stud, concrete, cinder block and metal stud (metal stud accessory required)*

*ACC615

SA770PU(S)



COLOR: High gloss black or high gloss silver

- 1" (25 mm) clearance per channel for clean cable management
- Dual-arm construction for strength and enhanced ease of motion
- Built-in cable ties control cables and cords with movement of arm
- Two knockouts in wall plate for optimal electrical access
- Includes hardware for installation to wood stud, concrete, cinder block and metal stud (metal stud accessory required)*

*ACC615

Accessories page 20

Screen size	10"-22" (25-56 cm)	10"-22" (25-56 cm)	22"-40" (56-102 cm)	32"-52" (81-132 cm)	32"-63" (81-160 cm)	37"-63" (94-160 cm)	37"-71" (94-180 cm)
VESA® pattern	75/100 mm <i>Additional screen adapter plates also available</i>	75/100 mm <i>Additional screen adapter plates also available</i>	75, 100, 200 x 100 and 200 x 200 mm <i>Additional screen adapter plates also available</i>	100, 200 x 100 and 200 x 200 mm SA745P models	100, 200 x 100 and 200 x 200 mm SA750P models	100, 200 x 100 and 200 x 200 mm SA760P models	—
Adjustable mounting pattern (W x H)	—	—	—	30.13" x 17.24" (765 x 438 mm) SA745PU models	30.13" x 17.24" (765 x 438 mm) SA750PU models	30.13" x 17.24" (765 x 438 mm) SA760PU models	43.13" x 26" (1096 x 660 mm) SA770PU models
Distance from the wall	1.9"-15.86" (48-403 mm)	1.9"-19.11" (48-485 mm)	2.72"-20.19" (69-513 mm)	6.8"-29.8" (173-757 mm) SA745PU models 4.8"-27.8" (122-706 mm) SA745P models	6.8"-29.8" (173-757 mm) SA750PU models 4.8"-27.8" (122-706 mm) SA750P models	6.8"-29.8" (173-757 mm) SA760PU models 4.8"-27.8" (122-706 mm) SA760P models	6.8"-29.8" (173-757 mm)
Tilt swivel roll	±35° ±90° ±5°	±35° ±90° ±5°	+15/-5° ±90° ±7°	+15/-5° ±90° ±2.5°	+15/-5° ±90° ±2.5°	+15/-5° ±45° ±2.5°	+15/-5° ±45° ±2.5°
Horizontal screen adjustment	—	—	—	—	10.75" (273 mm)	7.75" (197 mm)	7.75" (197 mm)
Landscape to portrait	—	—	—	Yes	Yes	Yes	Yes
Max load	25 lb (11 kg)	25 lb (11 kg)	80 lb (36 kg)	90 lb (40 kg) 110 lb (49 kg) with metal stud accessory	150 lb (68 kg) 110 lb (49 kg) with metal stud accessory	200 lb (90 kg) 125 lb (56 kg) with metal stud accessory	200 lb (90 kg) 125 lb (56 kg) with metal stud accessory
UL/TUV Listed	Yes	Yes	Yes	Yes	Yes	Yes	Yes

IN-WALL MOUNTS



1. DISCREET DESIGN

In retracted position, .08" (2 mm) from the wall, the mount's profile becomes virtually invisible

2. SIMPLIFIED INSTALLATION

Stud locating tabs self-adjust to create a snug fit for variation in stud spacing

3. EASE OF CONNECTIVITY

Multiple removable gang box and cable management access plates make it easy to run signal and power to the mounted TV

4. IDEAL SCREEN POSITIONING

Three height adjustment points in box making it easy to position screen at the desired height

CORNER MOUNTS



1. MOUNTING FLEXIBILITY

Designed to accommodate single or double-stud mounting

2. EXTENSIBILITY

Upgrading to a larger TV is easy, simply extend the arms, mount the larger TV -- no need to re-mount the wall plate

3. UNIVERSAL DESIGN

Accommodates virtually all TVs with 28.75"W by 17.05"H (730 x 433 mm) mounting holes

4. ACCESSORIZING

It is quick and simple to add A/V shelving, supports up to 25 lb (11 kg) per shelf

IB40(-S)[-W]



COLOR: High gloss black, high gloss silver or white

- Compatible with SA730P, SAL730P, SP730P, SA740P and SP740P models
- Three height adjustment points in box to set TV at desired vertical position
- Installs between 16" (406 mm) wood stud centers
- Stud-locating tabs adjust 1/4" (6 mm) left or right to accommodate stud spacing
- Removable gang box and cable management access plates make installation easy
- Includes hardware for installation to wood stud

IM740P(-S)



COLOR: High gloss black, or high gloss silver

- Includes SA740P mount for up to 40" LCD and flat panel TVs
- Three height adjustment points in box to set screen at desired vertical position
- Installs between 16" (406 mm) wood stud centers
- Stud-locating tabs adjust 1/4" (6 mm) left or right to accommodate stud spacing
- Removable gang box and cable management access plates make installation easy
- Includes hardware for installation to wood stud

IM760P(U)[-S]



COLOR: High gloss black, or high gloss silver

- Decorative trim ring included for a clean look
- Installs between 16" (406 mm) wood stud centers
- Stud-locating tabs adjust 1/4" (6 mm) left or right to accommodate stud spacing
- Removable gang box and cable management access plates make installation easy
- Includes hardware for installation to wood stud

CM50(-S)



COLOR: Black or silver

- Wall units expand to support compatible flat/tilt wall mounts for LCD or plasma flat panel TVs from 32"-50" (81x127 cm)
- Accommodates Peerless® flat/tilt wall mounts SF640, ST640, SF650, ST650, PF640, PT640, PF650, PT650 & ONE-IP
- Wall units accommodate speakers when used with smaller TVs (wall unit maybe visible with some smaller screens)
- Optional shelf available for A/V components (ACC324)
- Includes hardware for installation to wood stud, concrete and cinder block

CM60(-S)



COLOR: Black or silver

- Wall units expand to support compatible flat/tilt wall mounts for LCD or plasma flat panel TVs from 40"-60" (101x152 cm)
- Accommodates Peerless® flat/tilt wall mounts SF640, ST640, SF650, ST650, PF660, ST660, PF640, PT640, PF650, PT650, PF660, PT660 & ONE-IP
- Wall units accommodate speakers when used with smaller TVs (wall unit maybe visible with some smaller screens)
- Optional shelf available for A/V components (ACC324)
- Includes hardware for installation to wood stud, concrete and cinder block

CM850(-S)



COLOR: Black or silver

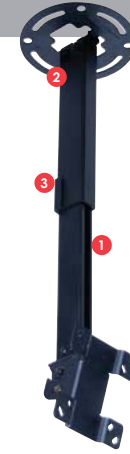
- Includes SmartMount™ Pull-Out Swivel Mount (SP850-UNL)
- Extendable arms accommodate multiple TV sizes without having to adjust wall mount placement
- Wall units accommodate speakers when used with smaller TVs (wall unit maybe visible with some smaller screens)
- Optional shelf available for A/V components (ACC324)
- Includes hardware for installation to wood stud, concrete and cinder block

Accessories page 20

Screen size	Refer to compatible Peerless wall mount	22"-40" (56-102 cm)	32"-60" (81-152 cm)
VESA® pattern	Refer to compatible Peerless wall mount	75, 100, 200 x 100 and 200 x 200 mm <i>Additional screen adapter plates also available</i>	100, 200 x 100 and 200 x 200 mm <i>IM760P models</i>
Adjustable mounting pattern (W x H)	—	—	28.7" x 17" (729 x 432 mm) <i>IM760PU models</i>
Distance from the wall	Refer to compatible Peerless wall mount	0.08"-16.69" (2-424 mm)	1.6"-19.38" (41-492 mm)
Tilt swivel roll	Refer to compatible Peerless wall mount	+15/-5° ±45° ±5°	+15/-5° ±45° ±2.5°
Landscape to portrait	—	—	Yes
Max load	Refer to compatible Peerless wall mount	80 lb (36 kg)	200 lb (90 kg)
UL/TUV Listed	Refer to compatible Peerless wall mount	Yes	Yes

Screen size	32"-50" (81-127 cm)	40"-60" (101-152 cm)	32"-58" (81-147 cm)
VESA® pattern	—	—	—
Adjustable mounting pattern (W x H)	Refer to compatible Peerless flat/tilt wall mount	Refer to compatible Peerless flat/tilt wall mount	28.75" x 17.05" (730 x 433 mm)
Distance from the corner	22.63"-35.36" (574-898 mm)	28.28"-42.43" (718-1077 mm)	22.63"-41.01" (574-1041 mm)
Tilt swivel roll	Refer to compatible Peerless flat/tilt wall mount	Refer to compatible Peerless flat/tilt wall mount	+10° ±45° ±1°
Increlock™	Refer to compatible Peerless flat/tilt wall mount	Refer to compatible Peerless flat/tilt wall mount	10°, 5°, 0°
Horizontal screen adjustment	Refer to compatible Peerless flat/tilt wall mount	Refer to compatible Peerless flat/tilt wall mount	3.5" (89 mm)
Max load	175 lb (79 kg)	200 lb (90 kg)	150 lb (68 kg)
UL/TUV Tested	Yes	Yes	Yes

UNIVERSAL CEILING MOUNTS



1. ACHIEVE IDEAL PLACEMENT
Adjustable height ranges for optimal TV placement

2. CLEAN LOOK
Internal cable management channels conceal signal and power cables for a clean installation

3. ADDED PEACE-OF-MIND
Built-in safety catch ensures proper use of height adjustment feature

LCC-18-[C](S)



COLOR: Black or silver

- Adjustable height ranges in 1" (25 mm) increments
- TV can be mounted in standard position or face-down
- Optional cable management covers ("C" models only)
- Mounts to wood joist or concrete

LCC-36-[C](S)



COLOR: Black or silver

- Adjustable height ranges in 1" (25 mm) increments
- TV can be mounted in standard position or face-down
- Optional cable management covers ("C" models only)
- Mounts to wood joist or concrete

PLCM-UNL-CP



COLOR: Black

- Simple hook-on TV installation
- Integrated cable management for clean look
- Mounts to wood joist or concrete

PC930A/PC930B/PC930C[-S](-W)



COLOR: Black, silver or white

- Comes in three adjustable height ranges for optimal viewing height
- Continuous tilt with optional lock in 5° increments for easy viewing angle adjustment
- Internal cable management allows cables to be routed through extension column for a clean, clutter-free installation
- Safety catch designed into extension channels to ensure user and equipment safety
- Mounts to wood joist or concrete

PC932A/PC932B/PC932C[-S](-W)



COLOR: Black, silver or white

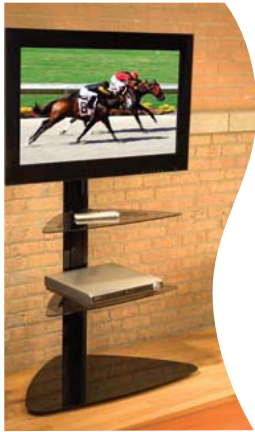
- Comes in three adjustable height ranges for optimal viewing height
- Continuous tilt with optional lock in 5° increments for easy viewing angle adjustment
- Internal cable management allows cables to be routed through extension column for a clean, clutter-free installation
- Safety catch designed into extension channels to ensure user and equipment safety
- Mounts to wood joist or concrete

Screen size	13"-29" (33-73 cm)	13"-29" (33-73 cm)	32"-60" (81-152 cm)
VESA® pattern	75/100 mm <i>Additional non-VESA® screen adapter plates also available</i>	75/100 mm <i>Additional non-VESA® screen adapter plates also available</i>	—
Adjustable mounting pattern (W x H)	—	—	28.75" x 17.05" (730 x 433 mm)
Distance from the ceiling	19.35"-32.35" (491-821 mm)	36.85"-49.85" (935-1266 mm)	42.63" (1082 mm)
Tilt swivel	+20°/-5° 360°	+20°/-5° 360°	+20° 360°
Increlock™	—	—	—
Landscape to portrait	Yes	Yes	—
Max load	40 lb (18 kg)	40 lb (18 kg)	200 lb (90 kg)
UL/TUV Listed	Yes	Yes	Yes

15"-24" (38-60 cm)			15"-37" (38-93 cm)		
75/100 mm			75, 100, 200 x 100 and 200 x 200 mm		
—			—		
9.8"-13.9" (248-353 mm) <i>PC930A models</i>	13.78"-21.89" (350-556 mm) <i>PC930B models</i>	20.24"-34.02" (514-864 mm) <i>PC930C models</i>	9.8"-13.9" (248-353 mm) <i>PC932A models</i>	13.78"-21.89" (350-556 mm) <i>PC932B models</i>	20.24"-34.02" (514-864 mm) <i>PC932C models</i>
+15°/-5° 360°			+15°/-5° 360°		
0°, 5°, 10°, 15°			0°, 5°, 10°, 15°		
Yes			Yes		
50 lb (22 kg)			80 lb (36 kg)		
Yes			Yes		



DESKTOP MOUNTS AND STANDS



1. NO WALL, NO PROBLEM!
Complementing the décor of any environment, this stand is the ideal addition when mounting to a wall is not an option

2. SIMPLE ADJUSTMENT
Continuous vertical adjustment makes it easy to position the TV and A/V shelving to its ideal height

3. SPACE-SAVING CORNER PLACEMENT
Triangle base allows for snug corner placement

4. DURABLE COMPONENT SHELVING
Supports the heaviest of A/V components, up to 50 lb (22 kg) per shelf

WALL FURNITURE AND SPEAKER MOUNTS



1. CONTEMPORARY DESIGN
Snap-on covers conceal all mounting hardware from view for clean appearance

2. LEVELING CAPACITY
Adjustment knobs ensures that components are perfectly leveled at all times

3. DURABLE COMPONENT SHELVING
Supports the heaviest of A/V components, up to 100 lb (45 kg)

LCT101



COLOR: Black

- Multi-directional adjustments (lift, lower, tilt, swivel, swing and extend) for optimal viewing
- Mounting options for virtually all surfaces (desktop clamp and desktop ball included)
- Cable management

PLT-BLK



COLOR: Black

- Internal cable management conceals cables and cords for a clean look
- Indicator window provides visual guide during installation
- Felt base protects table surfaces
- Theft-resistant security screws
- PLP screen adapter plate offered separately

SS550P(-S)



COLOR: High gloss black, or silver

- Internal cable management conceals cables and cords for a clean look
- Adjustable glass shelving for A/V components and accessories, holds up to 50 lb (22 kg)
- SGLB01/SGLS01 available for single shelf application

SmartMount

PS200



COLOR: Black

- Double-stud installation allows A/V equipment to be centered directly underneath flat panel TV
- Adjustable width up to 18" (457 mm) and depth range of 15" to 23" (381-584 mm) accommodate even the largest receivers and/or multi-disk DVD players
- Snap-on covers conceal all mounting hardware
- Adjustment knobs allows for easy leveling of components
- Embossed arms with screw holes secure components to shelf

PCC(-B)-(-S)



COLOR: White, black or silver

- Keeps cables and cords out of sight for clean, professional appearance
- Paintable surface to match any environment
- 4.5" (137.6 mm) long with ability to customize to desired length
- Measures 1" (25 mm) from wall for low-profile installation
- 90° corner connector to route cables in any direction
- Wall-attachment clips designed with built-in channels to keep cables in place

Screen size	10"-22" (25-56 cm)	32"-50" (81-127 cm)	32"-60" (81-152 cm)
VESA® pattern	75/100 mm	—	—
Adjustable mounting pattern (W x H)	—	—	28.75" x 17.05" (730 x 433 mm)
Tilt swivel roll	±60° 360° 360°	+10/-5° 360°	+5/-2°
Increlock™	—	—	-2°, 0°, +5°
Horizontal screen adjustment	—	—	8°
Max load	25 lb (11 kg)	150 lb (68 kg)	250 lb (113 kg)
UL/TUV Listed	Yes	Yes	Yes

Max load	100 lb (45 kg)	—
UL/TUV Listed	Yes	—

SPK722(W)/725(W)

COLOR: Black or white

- Mounts to wall or ceiling
- Universal design fits most brands
- Easy tilt, pivot and rotation adjustment
- Ceiling extensions included
- 1-, 2- and 4-hole mounting adapters
- Includes installation and speaker attachment hardware

SPK722 comes as 2-pack
SPK725 comes as 5-pack



SPK811(W)

COLOR: High gloss black

- Ball and socket design for multi-directional positioning
- 120° range of adjustment in all directions
- Speaker wires can be hidden for an aesthetically appealing installation
- Concealed mounting screws
- Can be assembled as a flush mount or used with a 3" (76 mm) extension
- Hardware for wood studs, metal studs, concrete and drywall
- Fastener pack contains hardware for mounting most commercially available speakers



Max load	8 lb (3 kg)	20 lb (9 kg)
----------	-------------	--------------

UNIVERSAL PROJECTOR MOUNTS



1. PATENT PENDING PRECISION GEARS
Reduces installation time and delivers pin-pointing image alignment

2. PIN-POINT IMAGE ALIGNMENT
Achieve pin-point image alignment by simply turning the adjustment knobs by hand or with a Phillips screwdriver

3. UNIVERSAL COMPATIBILITY
Spider® universal adapter plate extends from 17.63" (448 mm) to fit most projector models

4. SIMPLE FLUSH INSTALLATION
Enable fast and easy flush mounting installation with horizontal wrench access slots

PJF2-UNV[-S]



COLOR: Black or silver

- Cable management allows cables to be routed through projector mount out of sight
- Secured with Armor Lock™ at every connection point
- Two thumb screws allow for easy projector removal and maintenance
- Kitted with universal spider adapter plate
- Mount ships pre-assembled
- Comes with hardware for installation to wood joist or concrete
- Accessories available

PRS-UNV[-S][-W]



COLOR: Black, silver or white

- Cable management allows cables to be routed through projector mount out of sight
- Secured with Armor Lock™ at every connection point
- Quick-release for easy projector removal and maintenance
- Kitted with universal spider adapter plate
- Mount ships pre-assembled
- Comes with hardware for installation to wood joist or concrete
- Accessories available

PRG-UNV[-S][-W]



COLOR: Black, silver or white

- Patent-pending precision gear provides pin-point projector image alignment
- Two adjustment knobs control projector image alignment
- Horizontal wrench access slots make flush mounting installations fast and easy
- Cable management allows cables to be routed through projector mount out of sight
- Quick-release for easy projector removal and maintenance
- Kitted with universal spider adapter plate
- Mount ships pre-assembled
- Comes with hardware for installation to wood joist or concrete
- Accessories available

PPF[-S][-W]



COLOR: Black, silver or white

- Low-profile design for flush mounting installations
- Provides wide range of adjustment for ideal image alignment
- Cable management allows cables to be routed through projector mount out of sight
- Comes with hardware for installation to wood joist or concrete
- Accessories available

PPA/PPB/PPC[-S][-W]



COLOR: Black, silver or white

- Continuous channel design for uninterrupted drop length or wall extension adjustments
- Safety catch designed into extension to ensure user and equipment safety
- Mounts to ceiling or wall (depending on model) with included wall mount interface
- Provides wide range of adjustment for ideal image alignment
- Internal cable management conceals cables and cords for a clean look
- Comes with hardware for installation to wood joist or concrete
- Accessories available

PRS-EXA/EXB/EXC[-S][-W]



COLOR: Black, silver or white

- Includes PRS Series Projector Mount
- Continuous channel design for uninterrupted drop length or wall extension adjustments
- Safety catch designed into extension to ensure user and equipment safety
- Mounts to ceiling or wall (depending on model) with included wall mount interface
- Internal cable management conceals cables and cords for a clean look
- Comes with hardware for installation to wood joist or concrete
- Accessories available

PRG-EXA/EXB/EXC[-S][-W]



COLOR: Black, silver or white

- Includes PRG Precision Gear Projector Mount
- Continuous channel design for uninterrupted drop length or wall extension adjustments
- Safety catch designed into extension to ensure user and equipment safety
- Mounts to ceiling or wall (depending on model) with included wall mount interface
- Internal cable management conceals cables and cords for a clean look
- Two adjustment knobs control tilt and roll image alignment. Engage using a Phillips screwdriver or extend knobs to align by hand
- Comes with hardware for installation to wood joist or concrete
- Accessories available

Accessories page 20

	PJF2-UNV[-S]	PRS-UNV[-S][-W]	PRG-UNV[-S][-W]
Adjustable mounting pattern	up to 17.63" (448 mm)	up to 17.63" (448 mm)	up to 17.63" (448 mm)
Distance from the ceiling	—	—	—
Distance from the wall	—	—	—
Tilt swivel roll	±15° 360° ±15°	+20/-5° 360° (±30° when flush mounted) ±10°	±20° 360° (±15° when flush mounted) ±10°
Max load	50 lb (22 kg)	25 lb (11 kg)	50 lb (22 kg)
UL/TUV Listed	Yes	Yes	Yes

	PPF[-S][-W]	PPA/PPB/PPC[-S][-W]	PRS-EXA/EXB/EXC[-S][-W]	PRG-EXA/EXB/EXC[-S][-W]
Adjustable mounting pattern	up to 17.63" (448 mm)	up to 17.63" (448 mm)	up to 17.63" (448 mm)	up to 17.63" (448 mm)
Distance from the ceiling	—	PPA: 12.75"-17.78" (324-452 mm) PPB: 16.75"-25.68" (425-652 mm) PPC: 23.2"-37.69" (589-962 mm)	PRS-EXA: 8.7"-12.8" (221-325 mm) PRS-EXB: 12.68"-20.67" (322-525 mm) PRS-EXC: 19.13"-32.91" (486-836 mm)	PRG-EXA: 8.7"-12.8" (221-325 mm) PRG-EXB: 12.68"-20.67" (322-525 mm) PRG-EXC: 19.13"-32.91" (486-836 mm)
Distance from the wall	—	PPA: 9.95"-14.06" (253-357 mm) PPB: 13.95"-21.94" (354-557 mm)	PRS-EXA: 9.72"-13.86" (247-352 mm) PRS-EXB: 13.74"-21.73" (349-552 mm)	PRG-EXA: 9.72"-13.86" (247-352 mm) PRG-EXB: 13.74"-21.73" (349-552 mm)
Tilt swivel roll	+30/-5° ±20° ±20°	+30/-5° 360° (±20° at mount) ±20°	+20/-5° 360° ±10°	±20° 360° ±10°
Max load	50 lb (22 kg)	50 lb (22 kg)	25 lb (11 kg)	50 lb (22 kg)
UL/TUV Listed	Yes	Yes	Yes	Yes



ACCESSORIES

ACC215



Metal Stud Fastener Kit - 2 togglers

ACC415



Metal Stud Fastener Kit - 4 togglers

ACC615



Metal Stud Fastener Kit - 6 togglers

ACC908



Metal Stud Wall Kit for use with SP730P, SA730P and SAL730P

WSP490[S]



Metal Stud Wall Plate for SP740P

WSP745[-S]



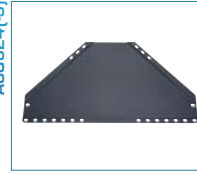
Metal Stud Wall Plate for SA745

IBA1



In-wall Box for A/V Accessories

ACC324[-S]



Corner Mount Shelf

ACC560



Ceiling Plate

ACC570[S][W]



Round Ceiling Plate

ADJ models



Adjustable Extension Column

ACC-EXC[S][W]



Extension Column for EXC Extension Kit

ACC566



Cathedral Ceiling Adapter

CMJ500



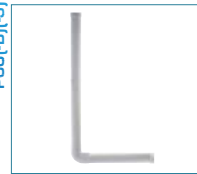
Lightweight Adjustable Suspended Ceiling Kit

CMJ455



Lightweight Suspended Ceiling Kit

PCC[-B][S]



Cable Management Channel

peerless®